



ADZ-5W Standard

Standard Version with Bluetooth function



5W标准版 ADZ-BZ5

1500mW绿光激光, 波长520nm

1500mW红光激光, 波长638nm

2000mW蓝光激光, 波长450nm

光束发散度: <1.2毫弧度 (全角)

激光等级: Class IV

调制方式: TTL | 模拟调制

激光寿命: >10,000小时

防护等级: IP25

1.工作环境:户外及室内, -25°C至40°C

2.扫描系统:25K振镜, 光学角度±30°

3.控制模式:ILDA, DMX512, 自动, 手动, 主从同步

4.电源:100-250V, 50/60Hz

5.额定功率: ≤200W

6.尺寸:230×230×178mm(高)

7.重量:5.8kg

Green Laser: 1500mW, Wavelength 520nm

Red Laser: 1500mW, Wavelength 638nm

Blue Laser: 2000mW, Wavelength 450nm

Beam Divergence: <1.2 mrad (Full Angle)

Laser Class: Class IV

Modulation Mode: TTL | Analog Modulation

Laser Lifespan: >10,000 Hours

Protection Rating: IP25

1.Operating Environment: Indoor & Outdoor, -25°C to 40°C

2.Scanning System: 25K Galvanometer, Optical Angle ±30°

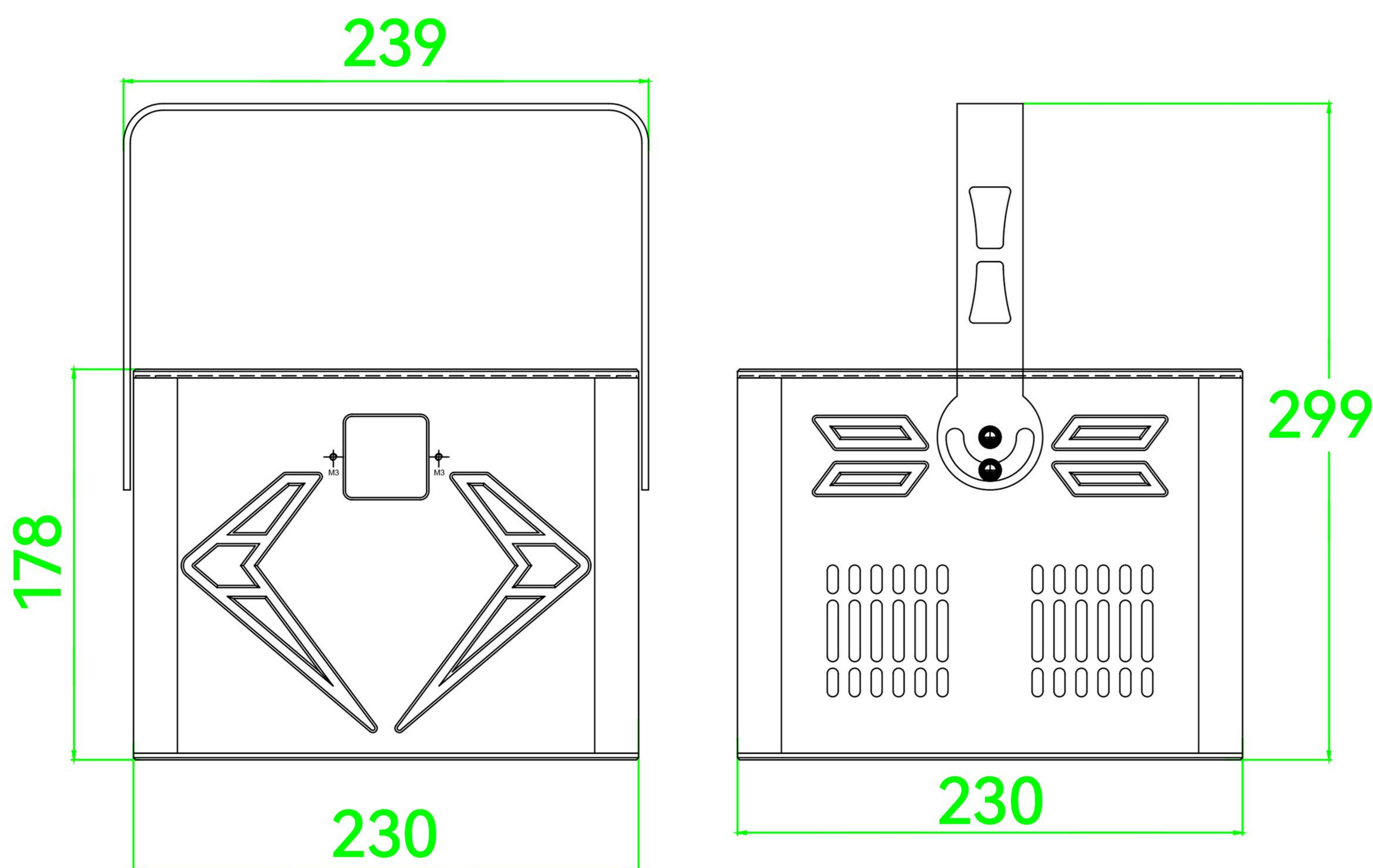
3.Control Modes: ILDA, DMX512, Auto, Manual, Master-Slave Synchronization

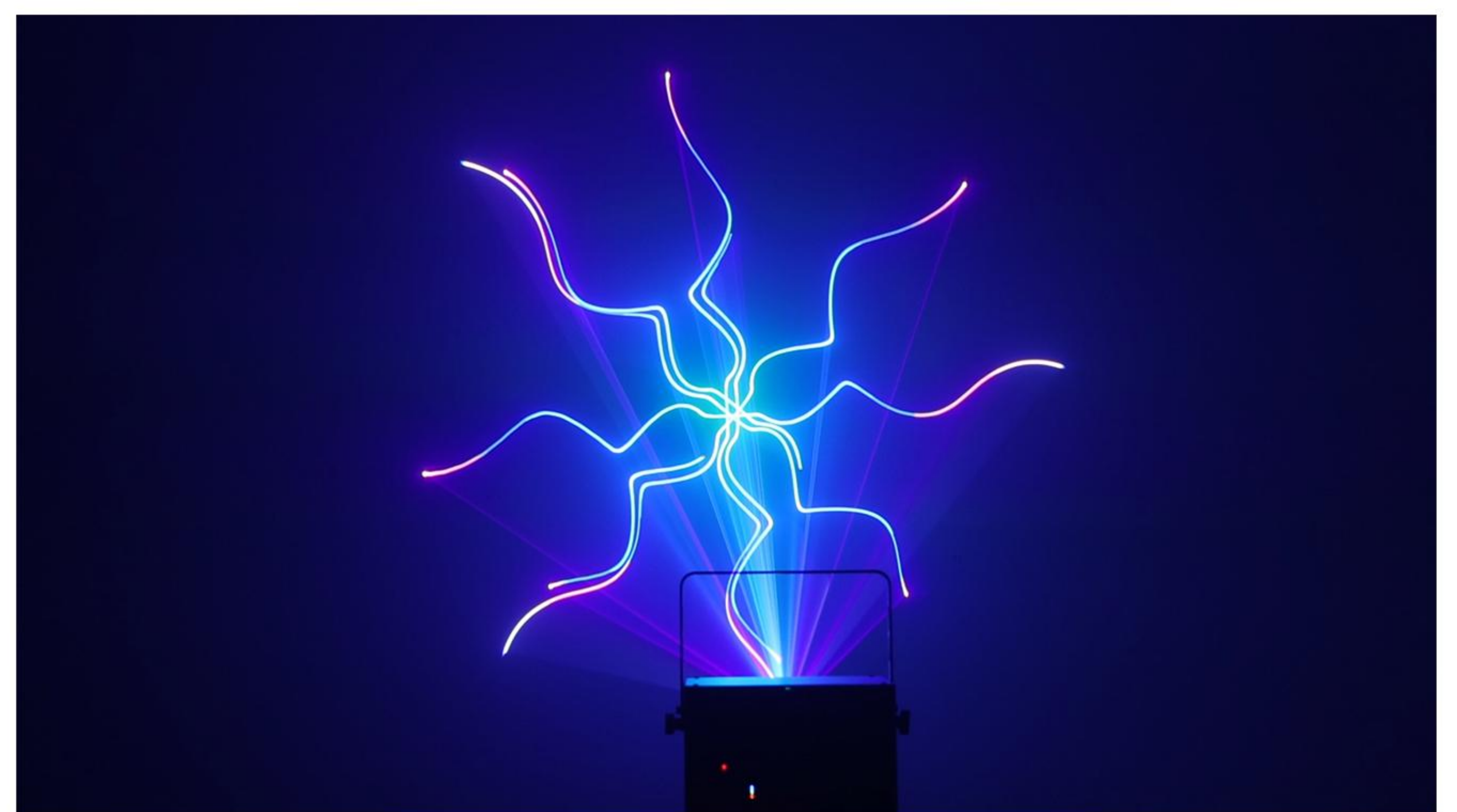
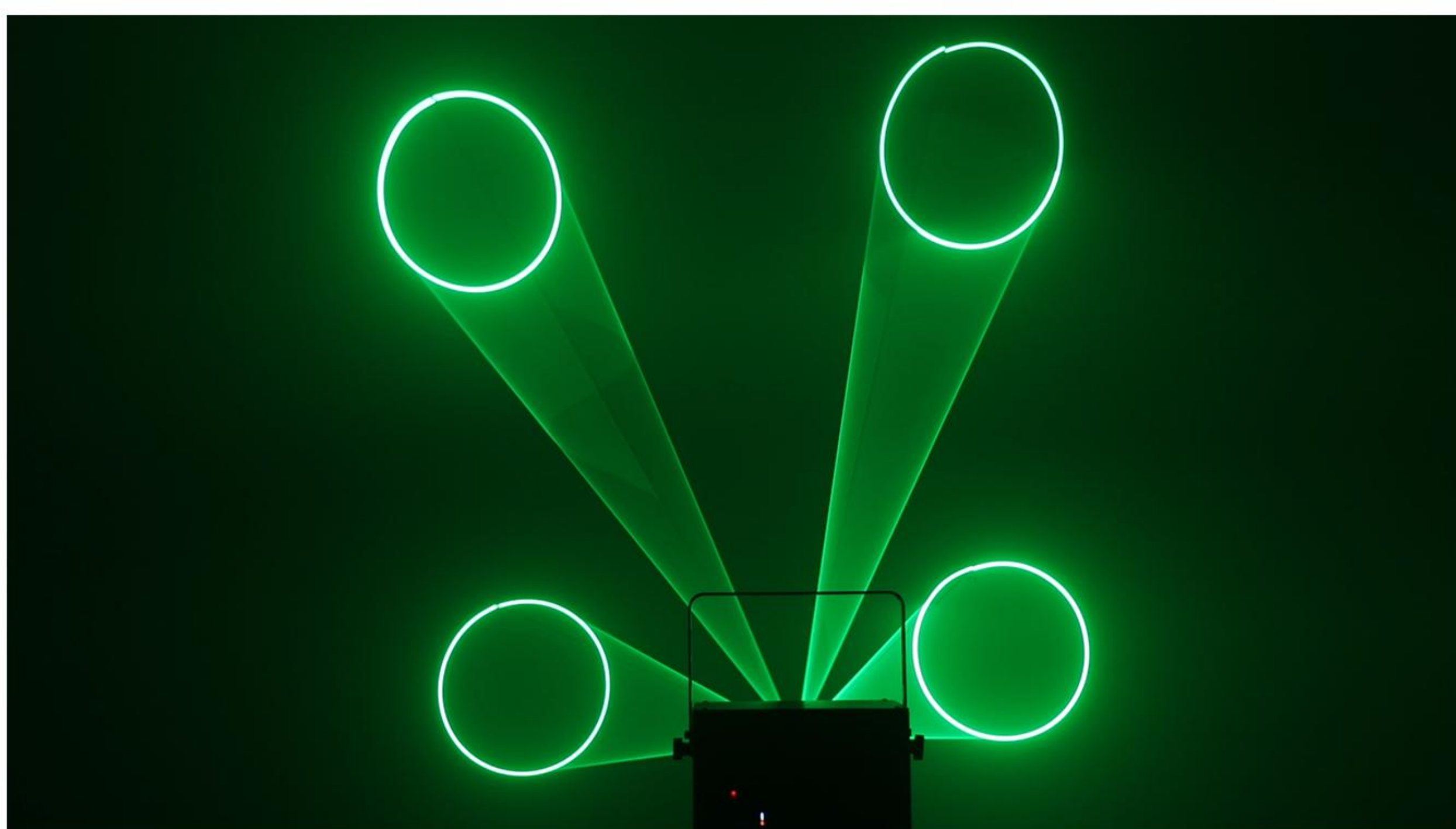
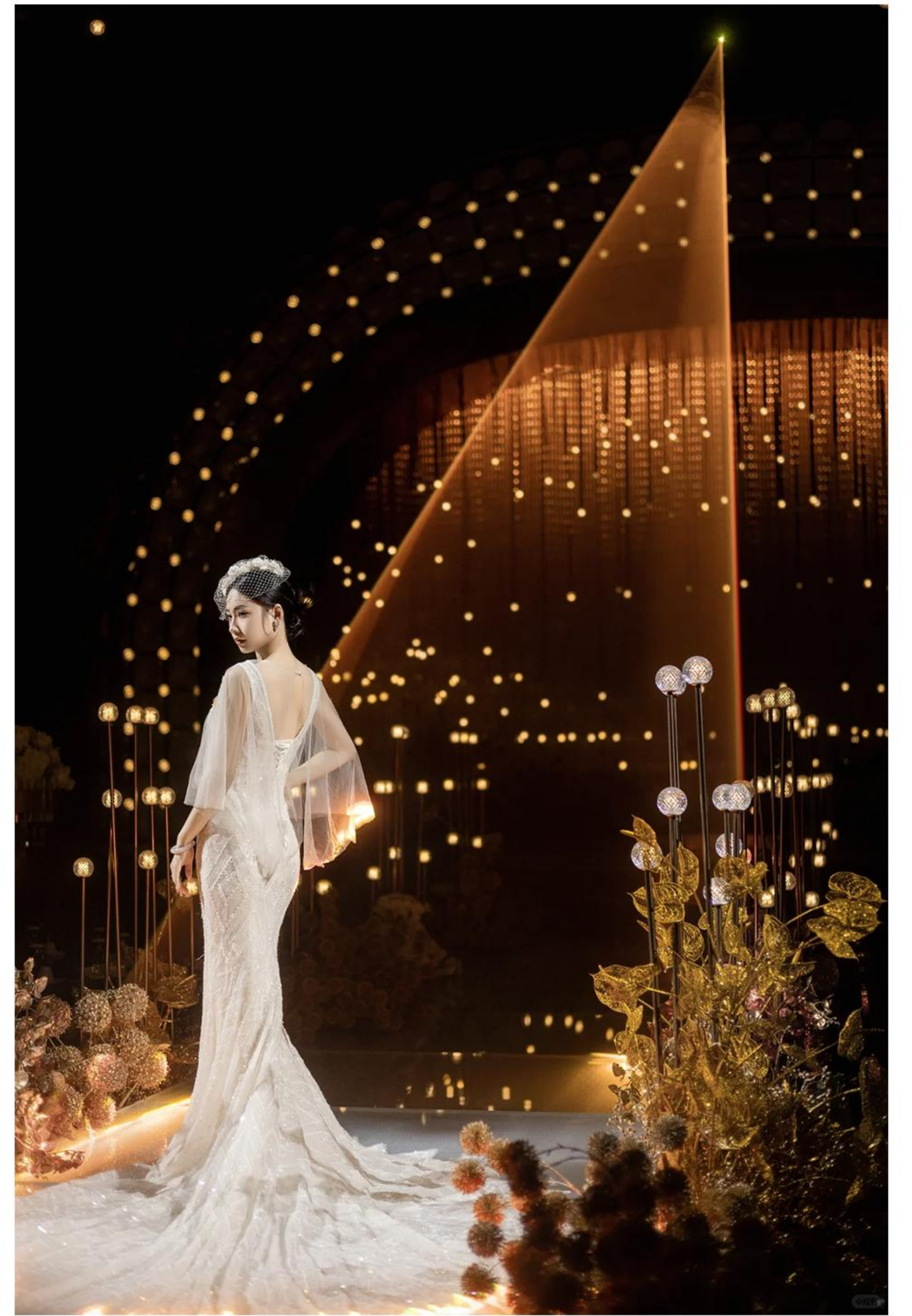
4.Power Supply: 100-250V, 50/60Hz

5.Rated Power: ≤200W

6.Dimensions: 230 × 230 × 178mm (H)

7.Weight: 5.8kg







1.电源开关

2.RJ45输入/输出

3.功能菜单控制旋钮

4.安全锁

5.电源输入

6.ILDA输入

7.ILDA输出

8.DMX信号输入

9.DMX信号输出

1.Power Switch

2.RJ45 Input/Output

3.Function Menu Control Knob

4.Safety Lock

5.Power Input

6.ILDA Input

7.ILDA Output

8.DMX Signal Input

9.DMX Signal Output