



# ADZ-5W Basic

## Basic Version with Bluetooth function



### ADZ-JC5 5W基础版

1500mW绿光激光, 波长520nm

1500mW红光激光, 波长638nm

2000mW蓝光激光, 波长450nm

激光寿命: >10,000小时

激光等级: Class IV

防护等级: IP25

1.工作环境: 户外及室内, -25°C至40°C

2.扫描系统: 25K振镜, 光学角度±30°

3.控制模式: DMX512、自动、手动、主从同步

4.电源: 100-250V, 50/60Hz

5.额定功率: ≤200W

6.尺寸: 165×185×135mm (高)

7.重量: 5.0kg

Green Laser: 1500mW, Wavelength 520nm

Red Laser: 1500mW, Wavelength 638nm

Blue Laser: 2000mW, Wavelength 450nm

Laser Lifespan: >10,000 Hours

Laser Class: Class IV

Protection Rating: IP25

1.Operating Environment: Indoor & Outdoor, -25°C to 40°C

2.Scanning System: 25K galvanometer, Optical Angle ±30°

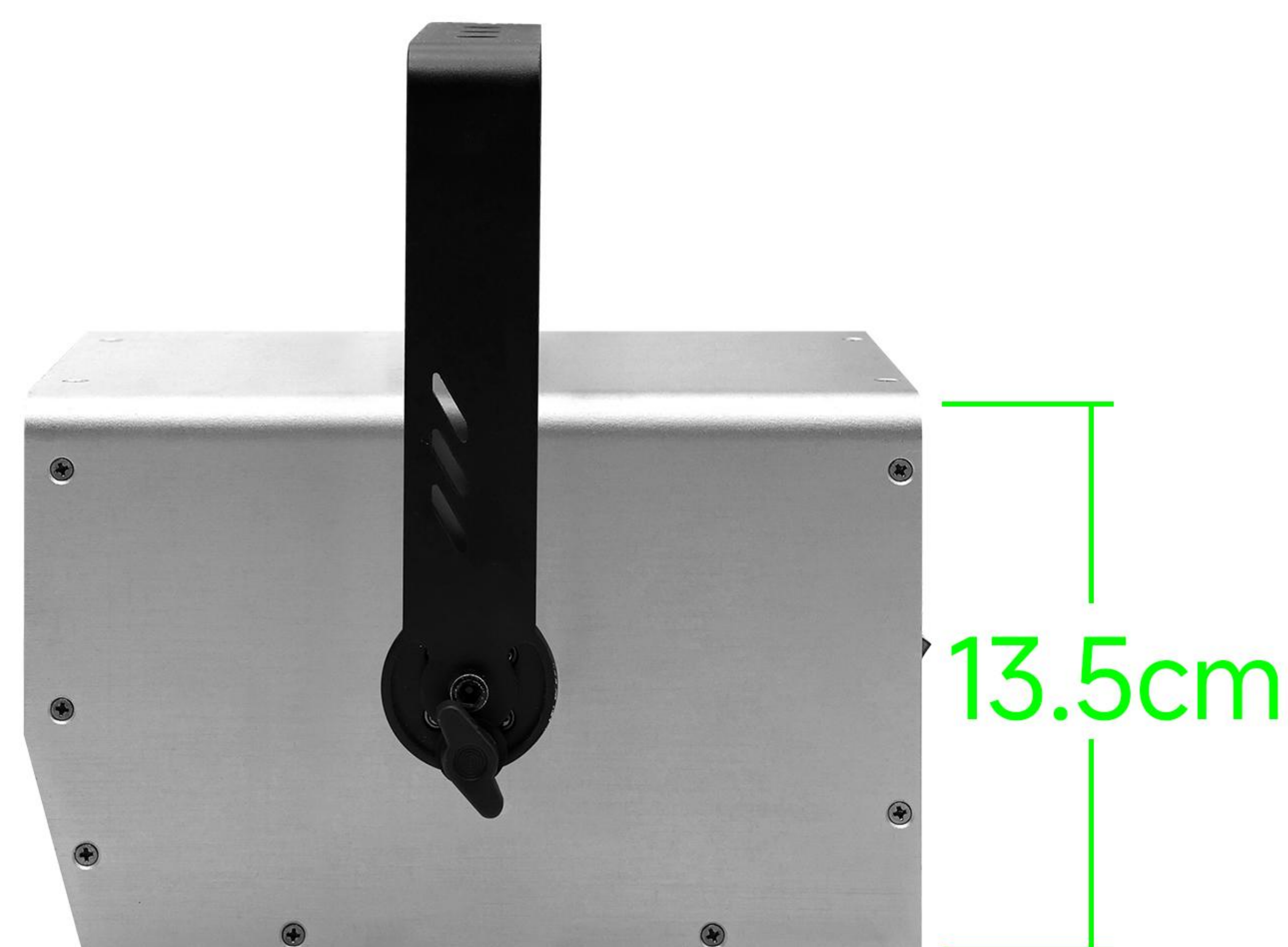
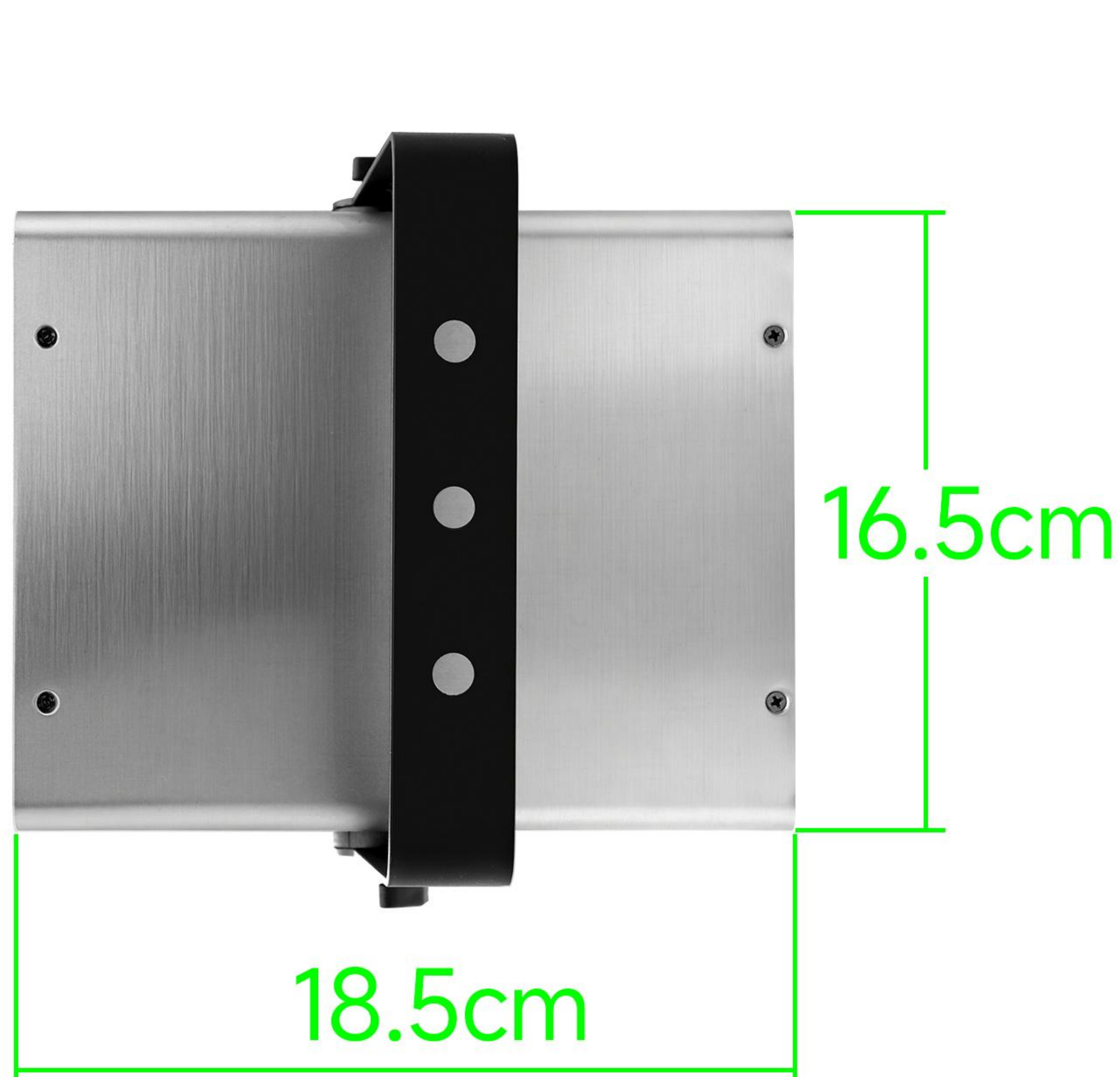
3.Control Modes: DMX512, Auto, Manual, Master-Slave Synchronization

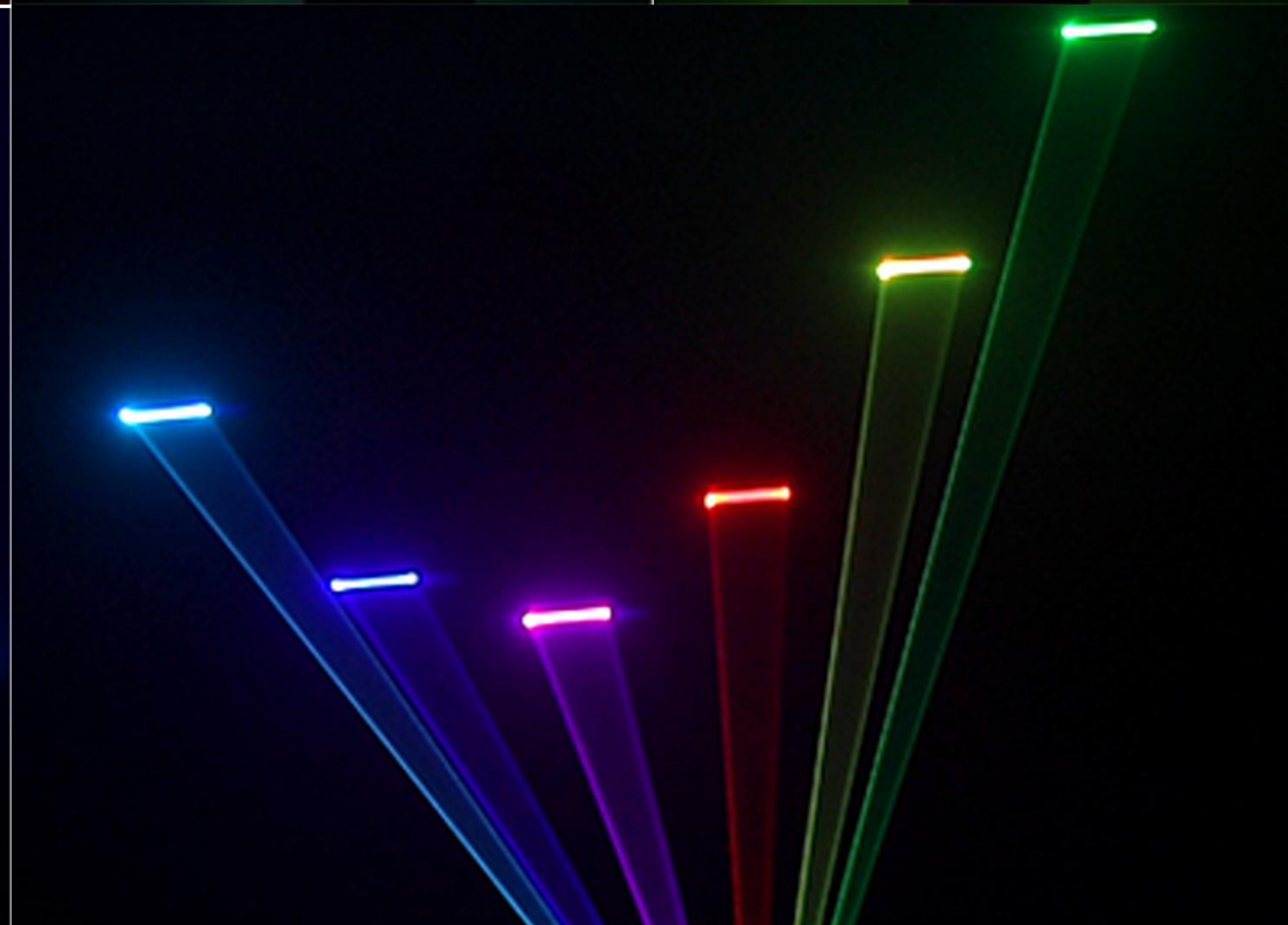
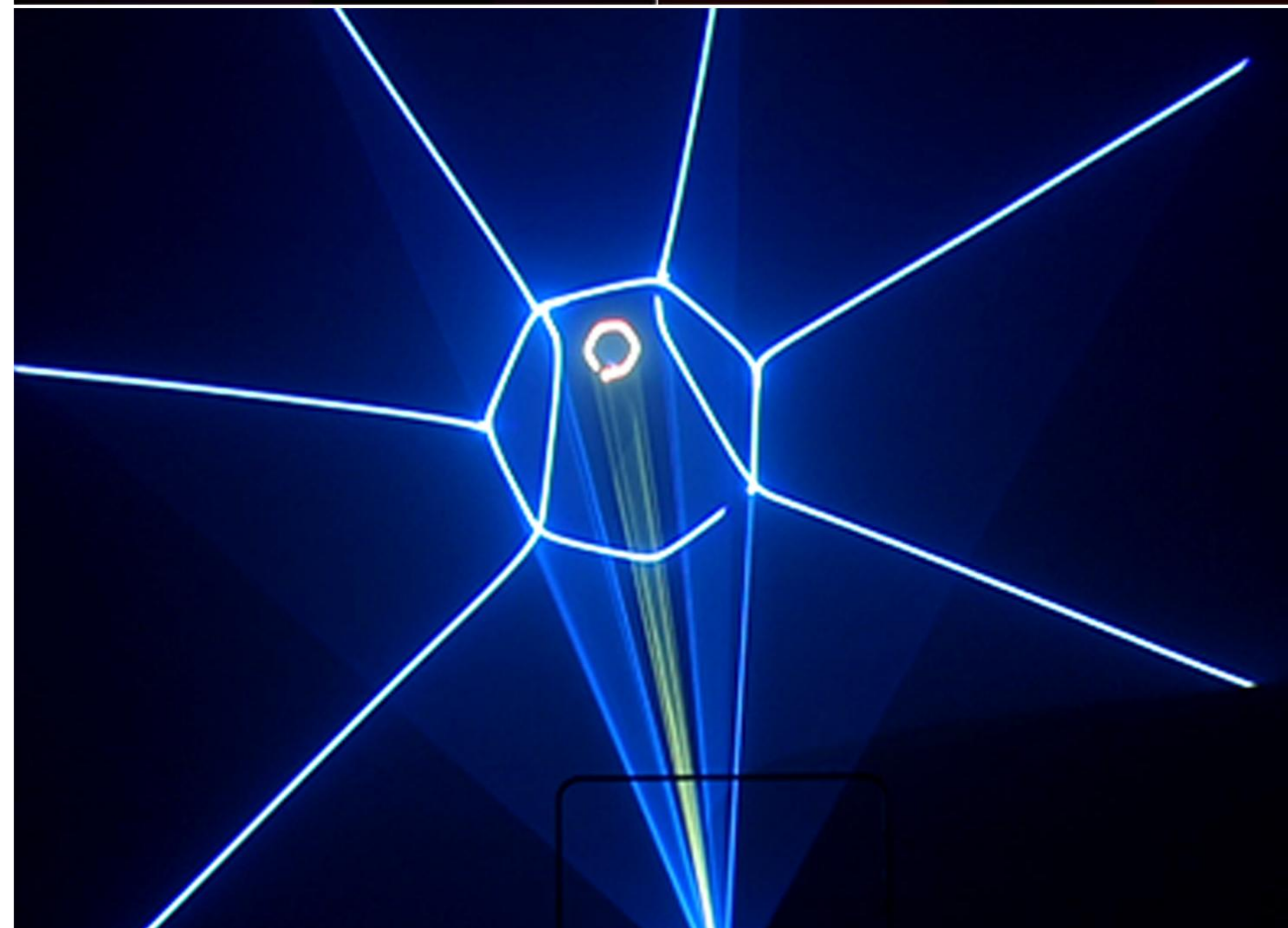
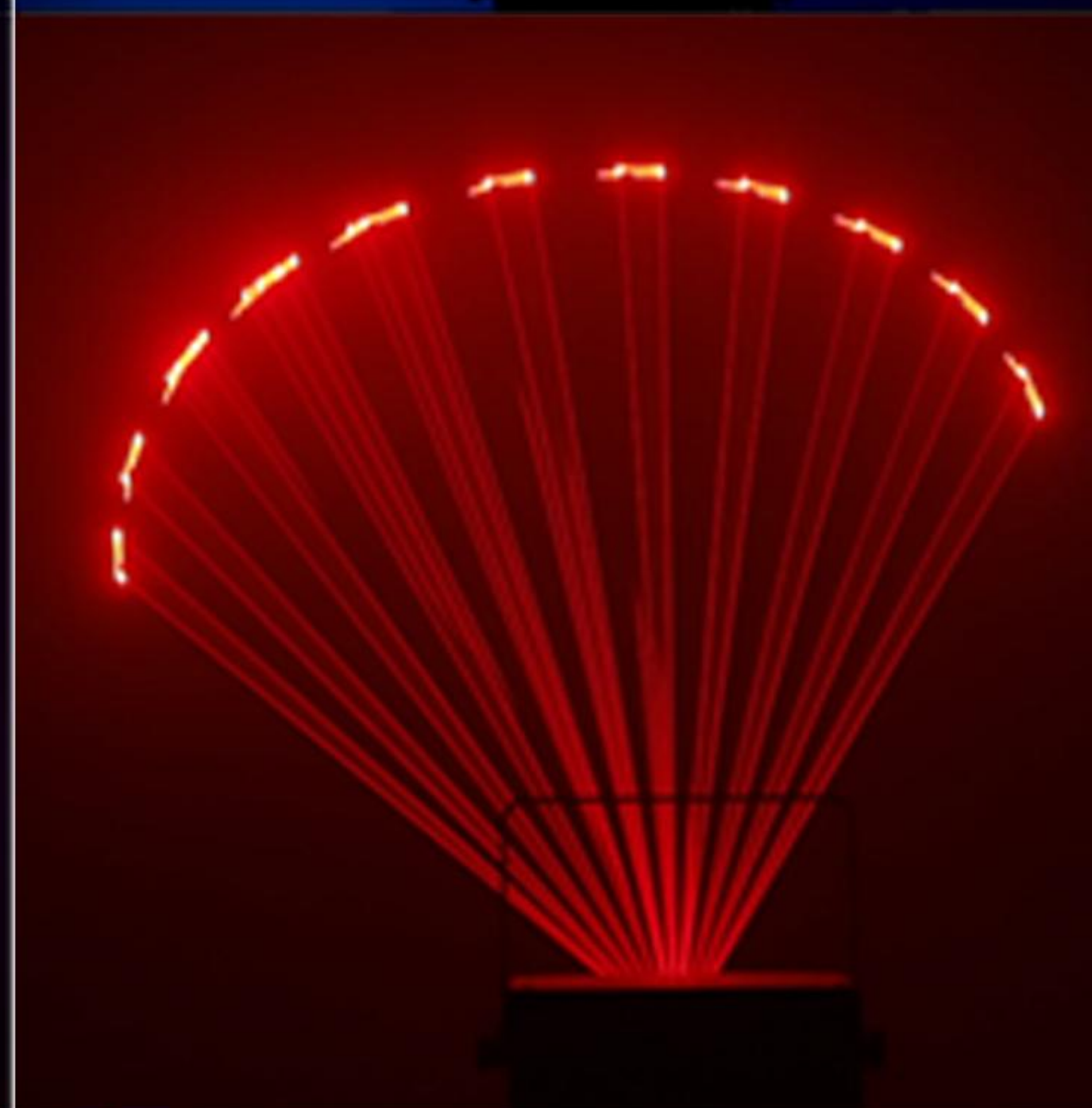
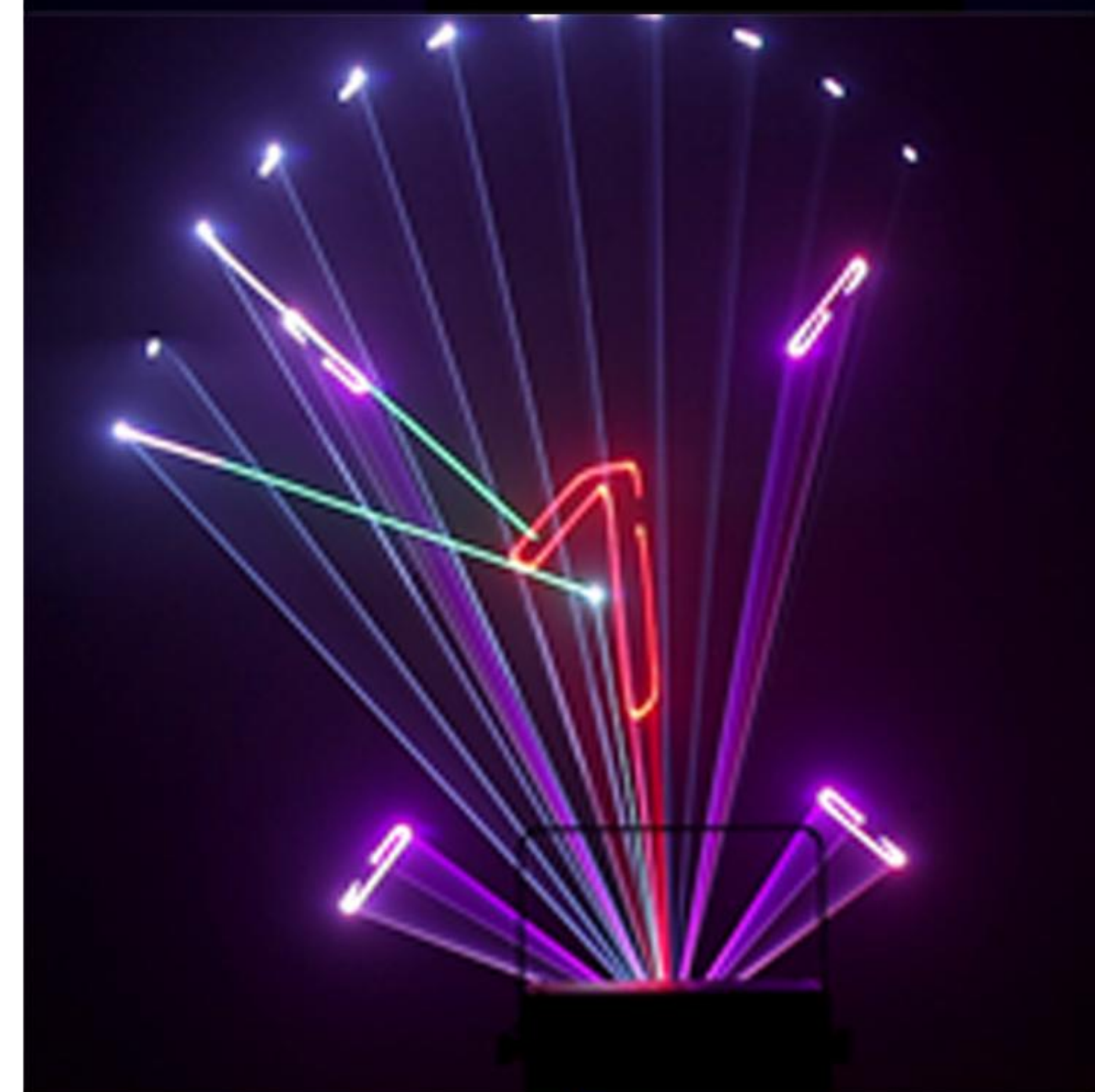
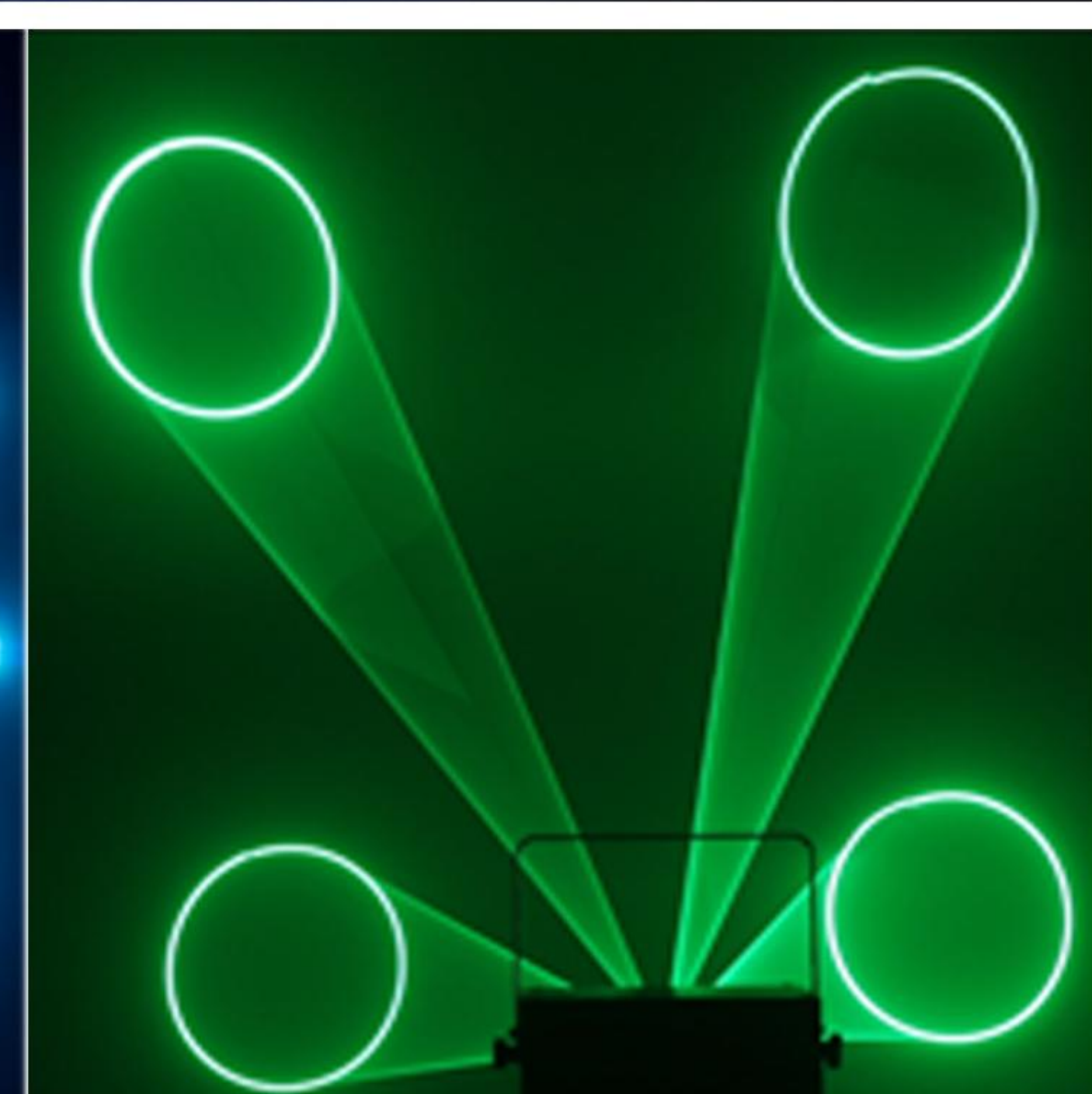
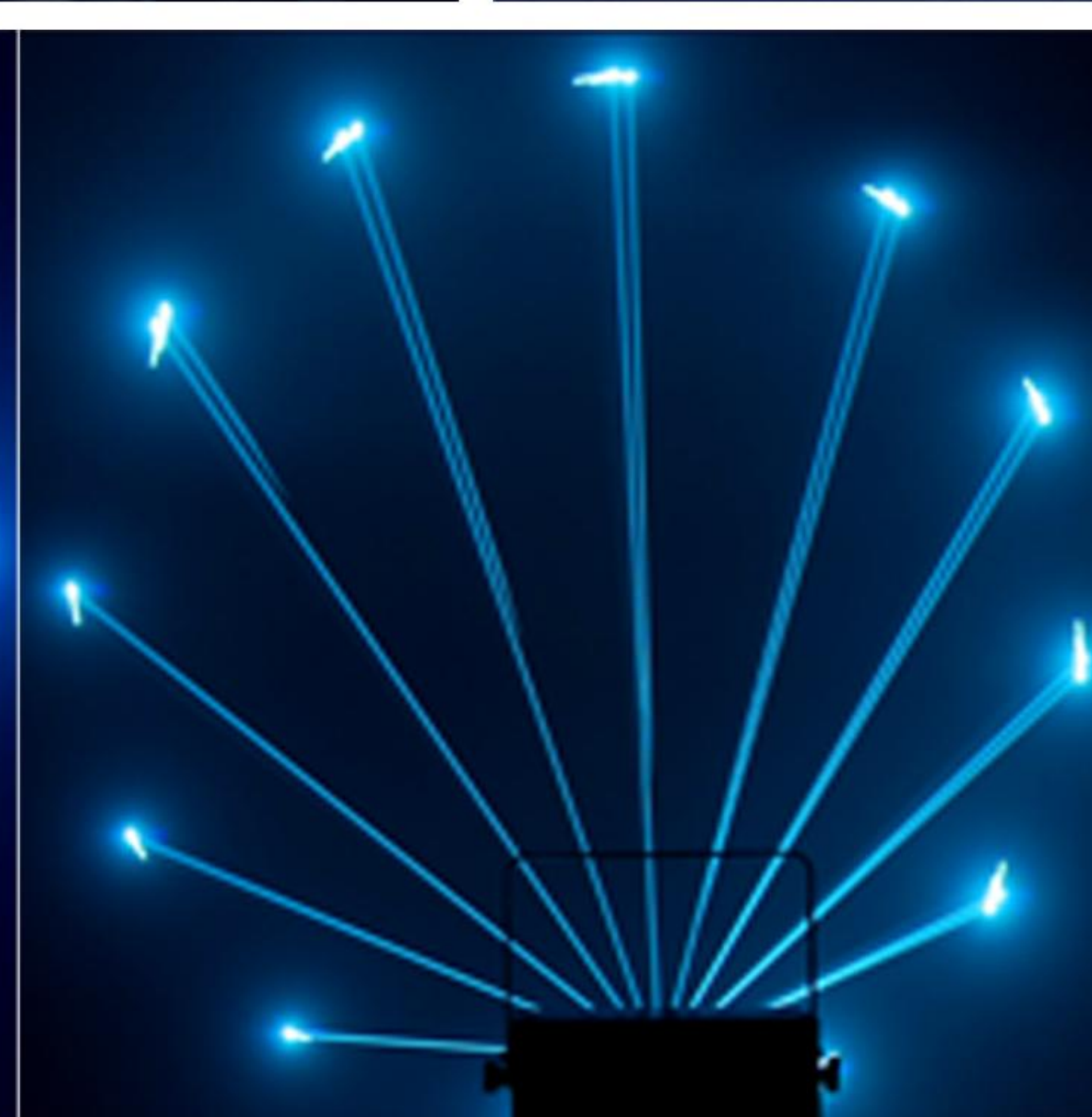
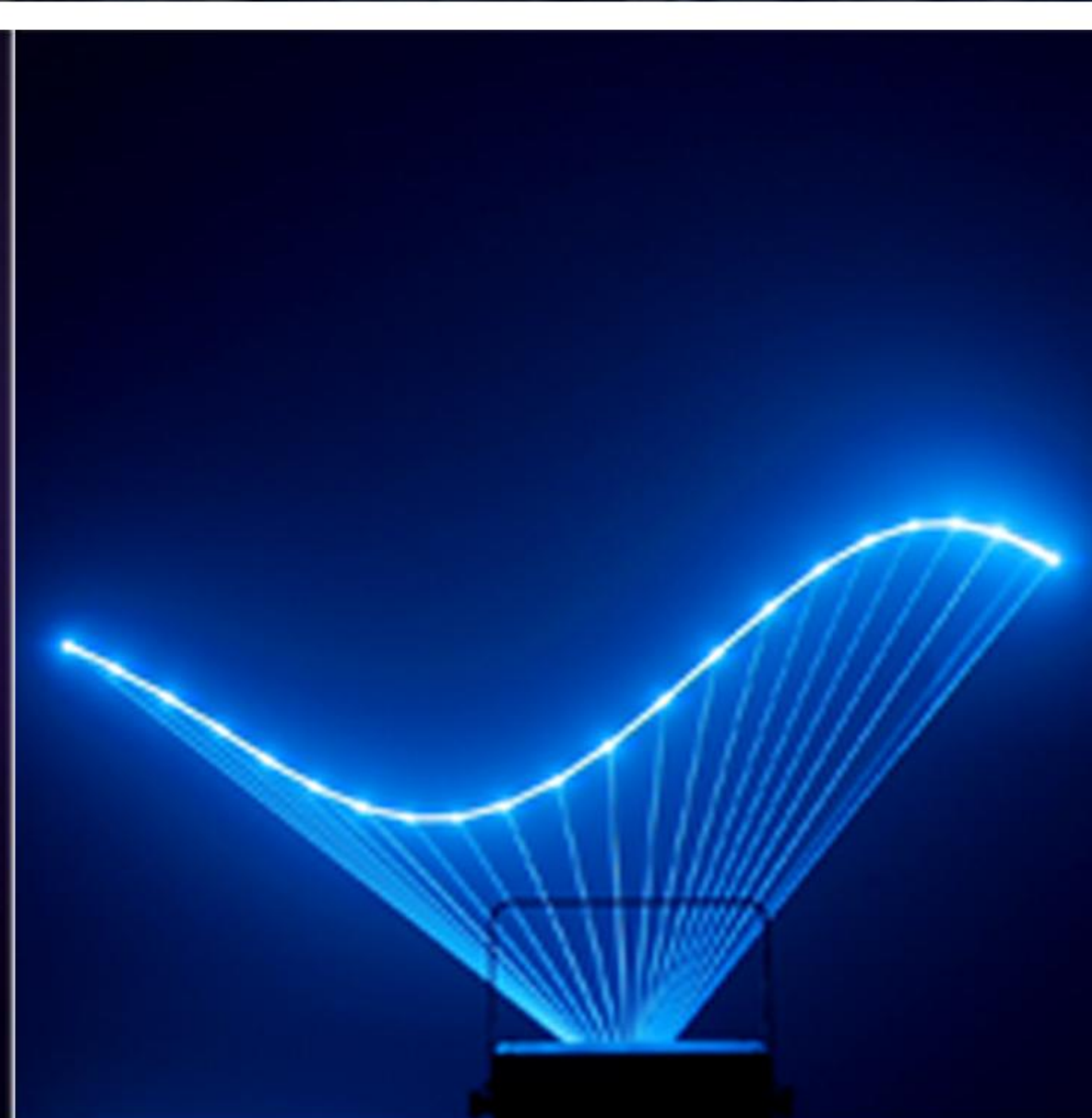
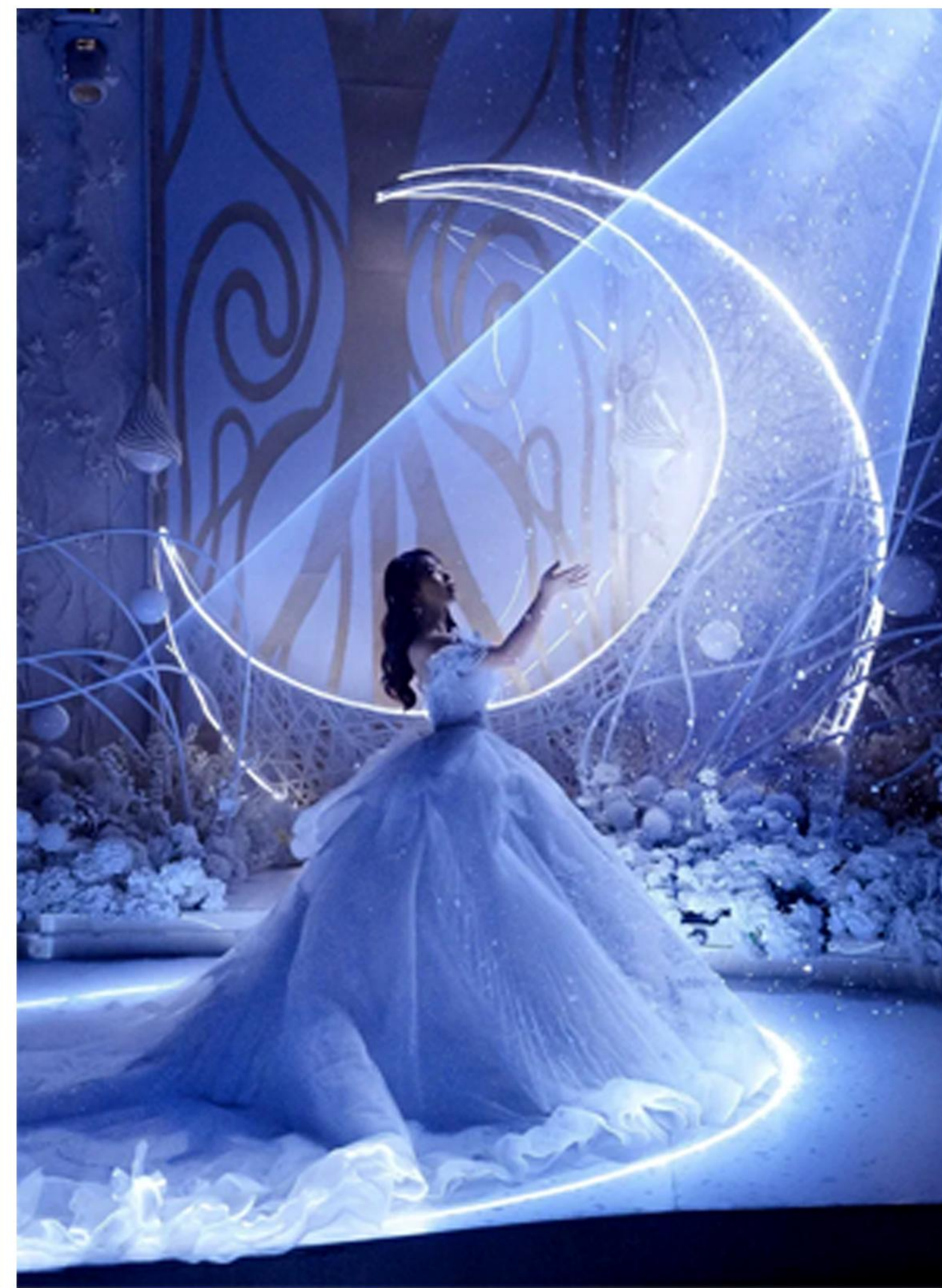
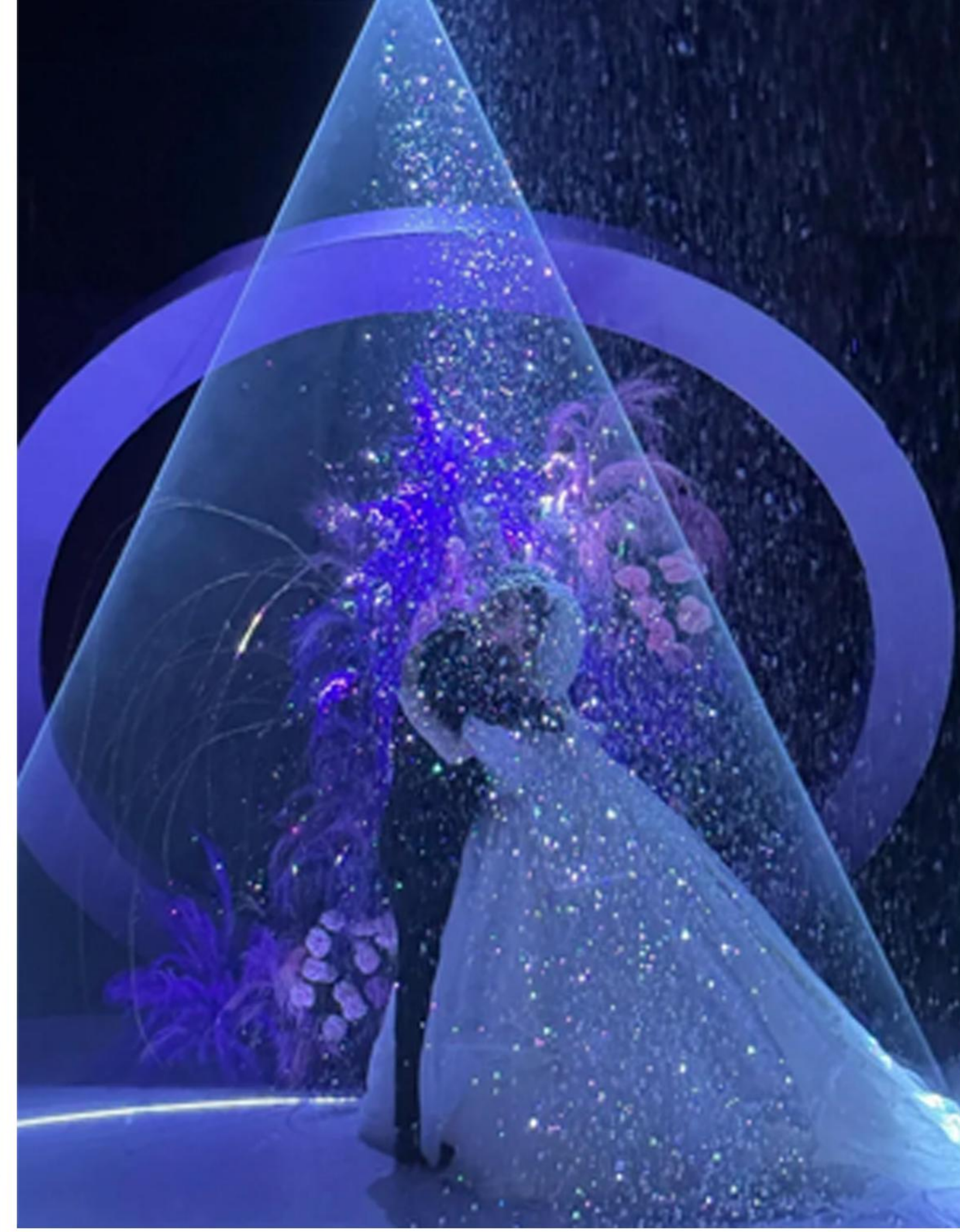
4.Power Supply: 100-250V, 50/60Hz

5.Rated Power: ≤200W

6.Dimensions: 165 × 185 × 135mm (H)

7.Weight: 5.0kg







1.确认选择按钮

2.菜单功能选项

3.上一项

4.下一项

5.电源开关

6.保险丝

7.电源输入

8.DMX信号输入

9.DMX信号输出

1.Confirm/Select Button

2.Menu Function Options

3.Previous Item

4.Next Item

5.Power Switch

6.Fuse

7.Power Input

8.DMX Signal Input

9.DMX Signal Output