



# ADZ Single Beam Laser Light



## 单头激光 ADZ-DT2

波长: R-638nm/G-520nm/B-450nm

功率配置: R-500mW/G-500mW/B-1000mW

尺寸: 13.4\*19\*11 (高) cm

重量: 2.4Kg

光斑模式: 多模

发散角:  $\leq 2$  mrad

出光口光斑尺寸: 15mm

调制方式: TTL

工作寿命: >10000小时

工作温度: 室外室内, -30°C--40°C

冷却方式: 自带散热器进行散热 (使用时需要加  
程序切光)

应用: 户外亮化、景区、广场、公园、园林、灯光秀

Wavelength: R-638nm / G-520nm / B-450nm

Power Configuration: R-500mW/G-500mW/B-1000 mW

Dimensions: 13.4 × 19 × 11 (H) cm

Weight: 2.4 kg

Spot Mode: Multi-mode

Beam Divergence:  $\leq 2$  mrad

Beam Size at Output: 15 mm

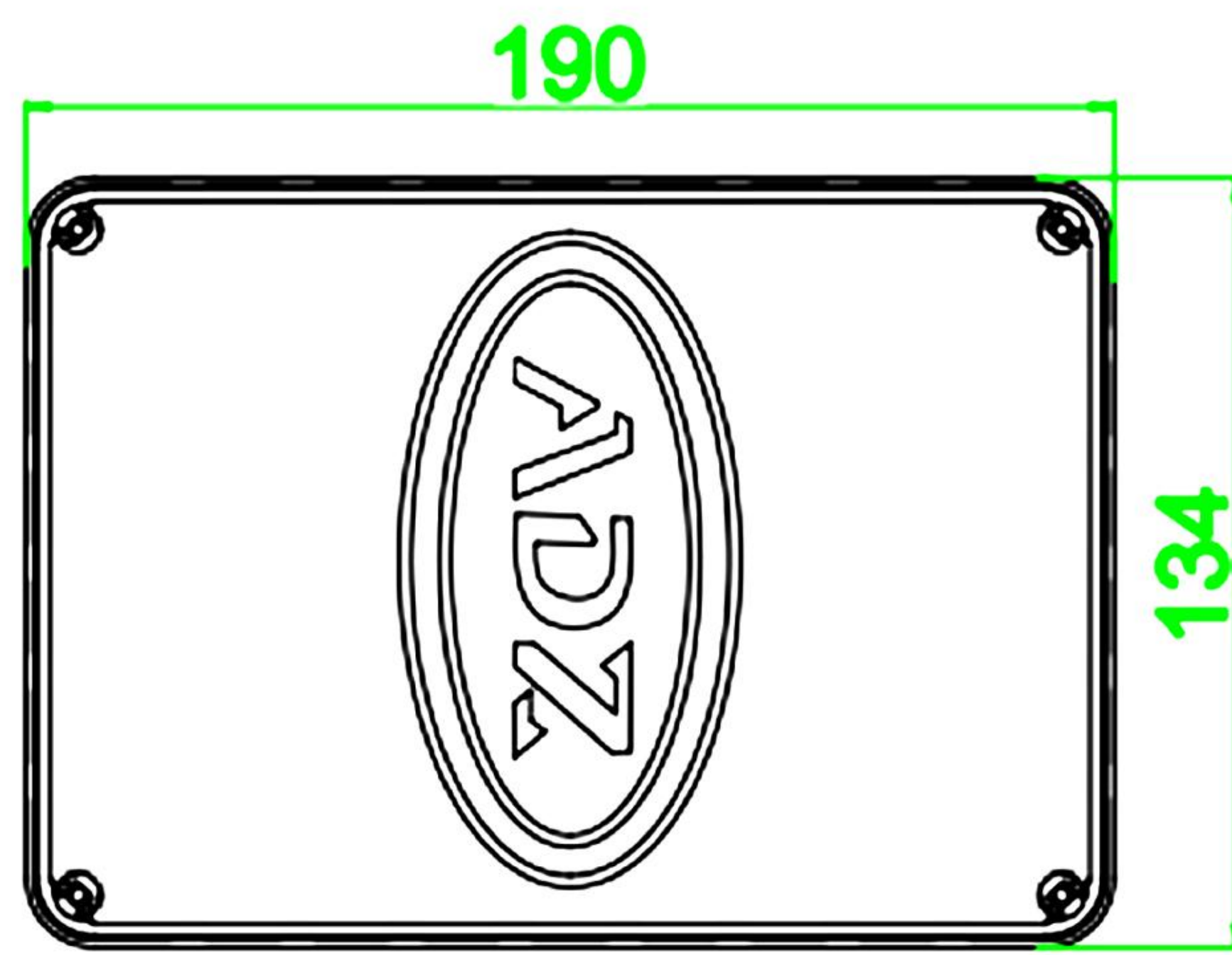
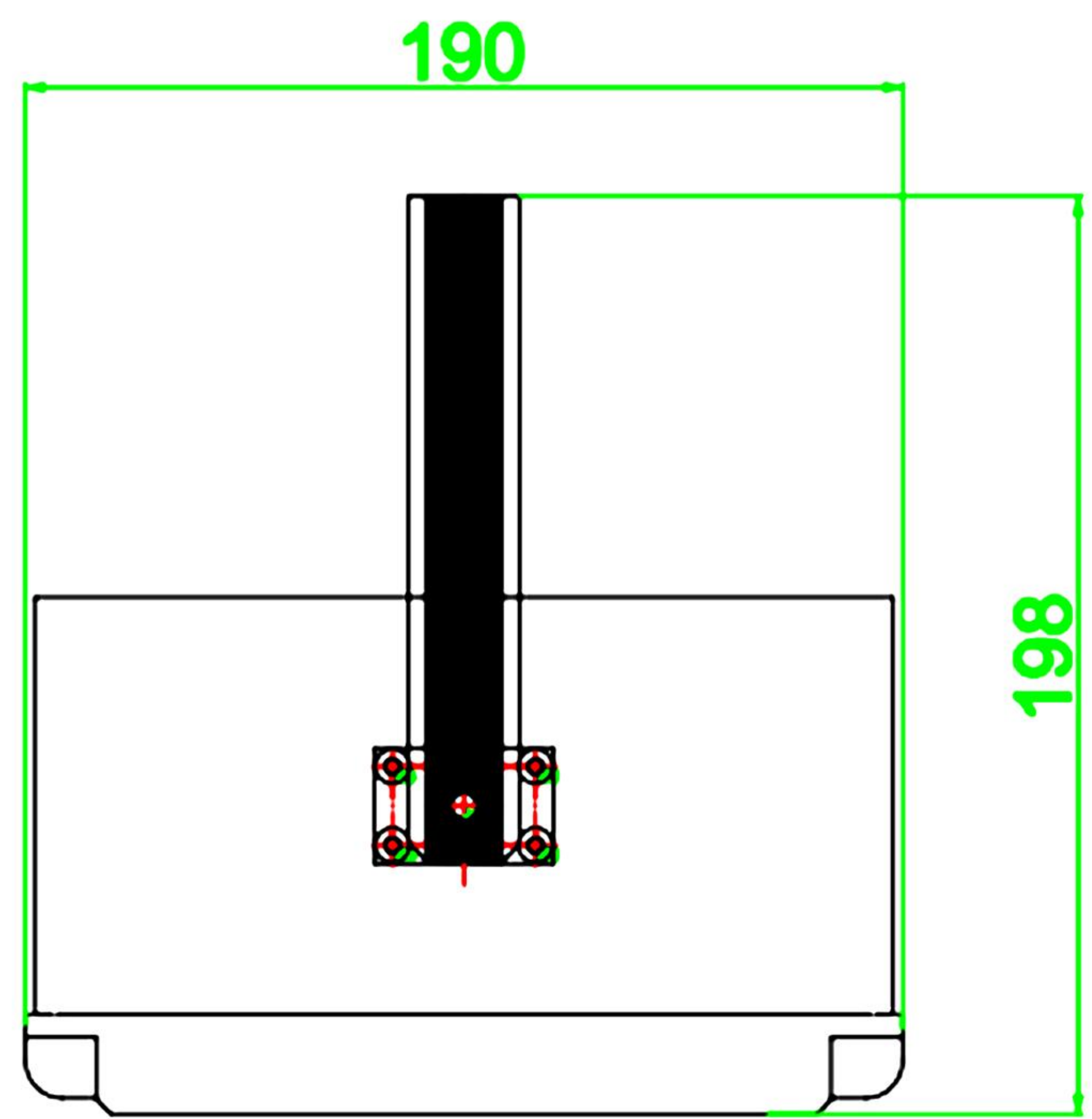
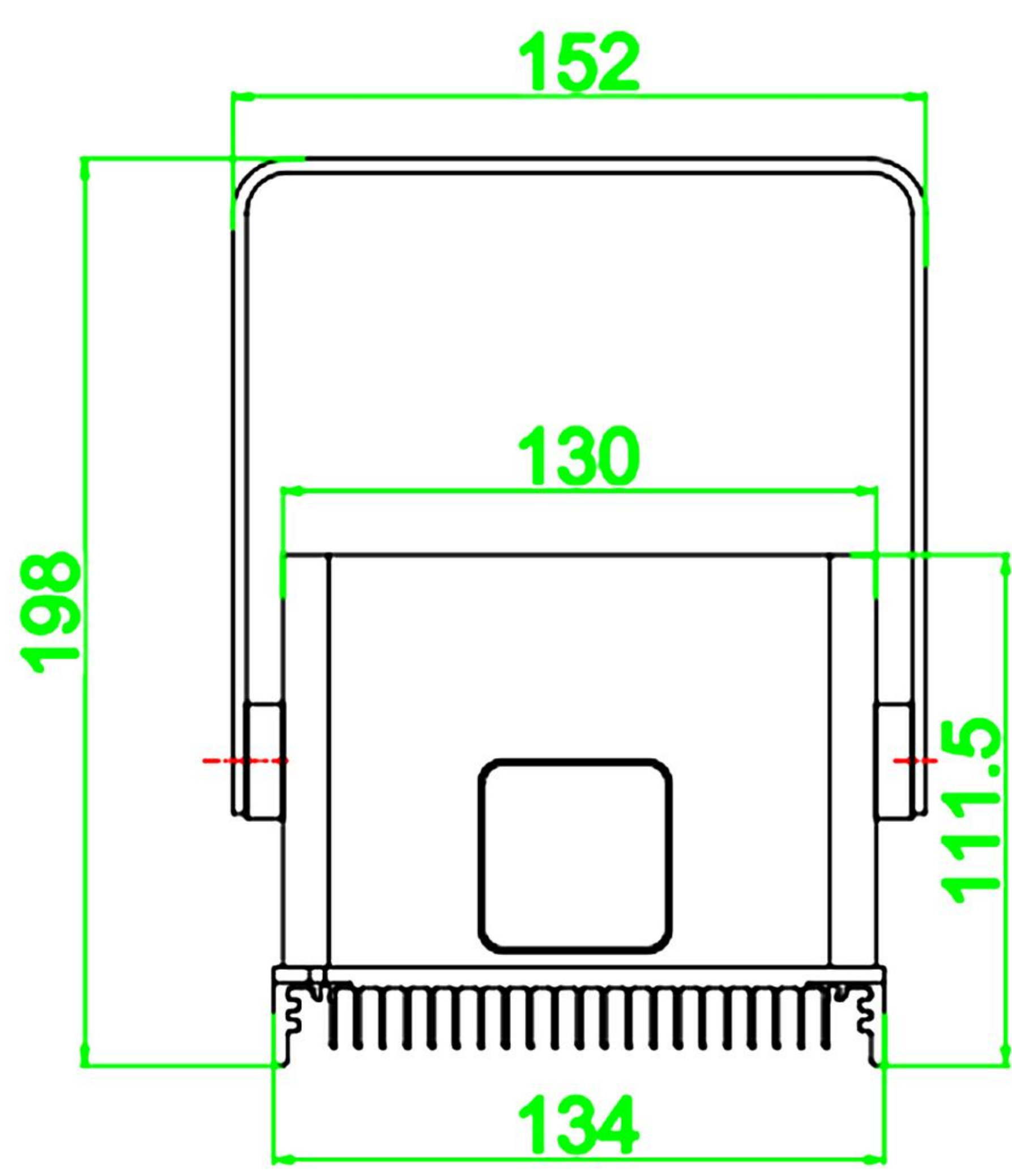
Modulation Mode: TTL

Service Life: > 10,000 hours

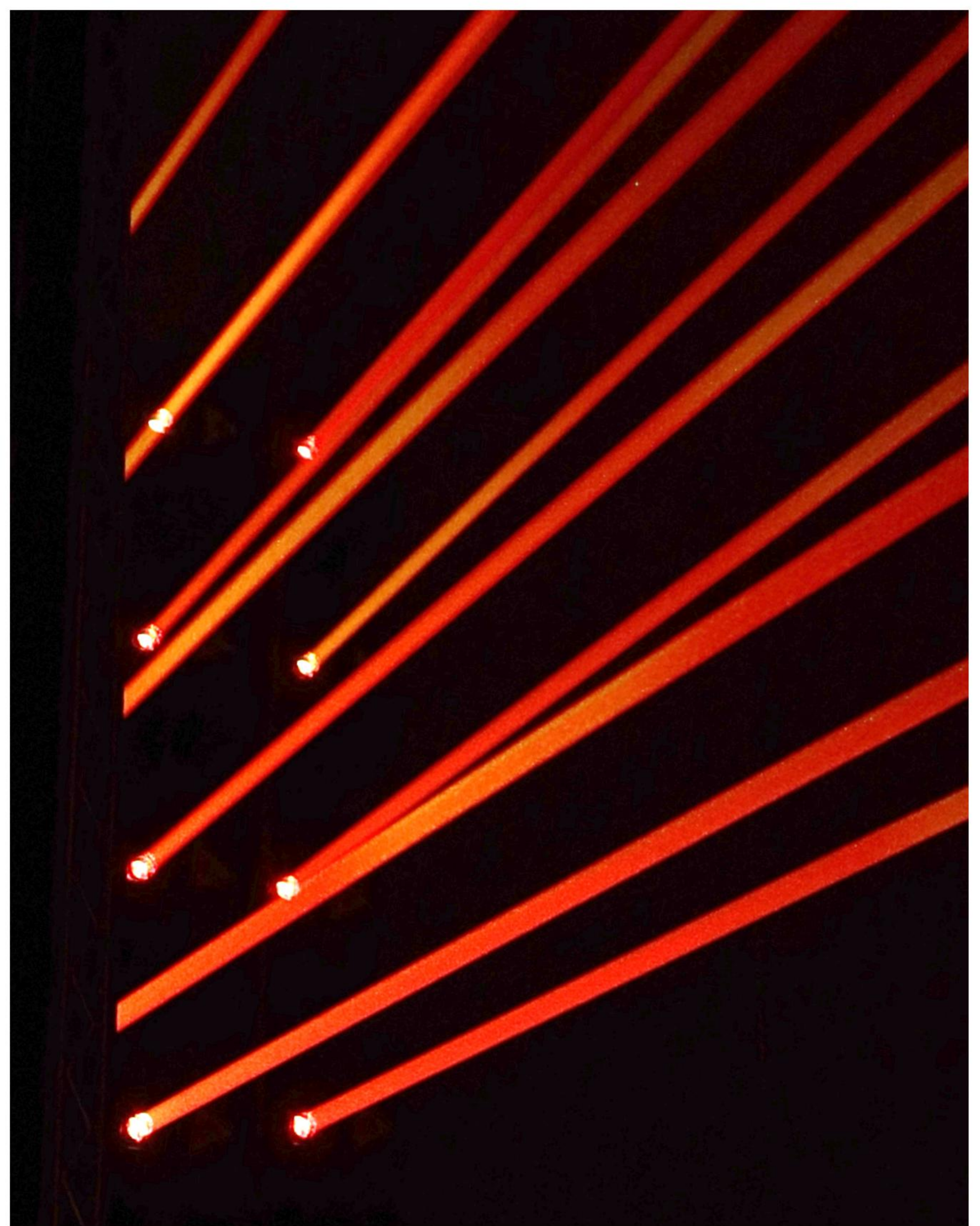
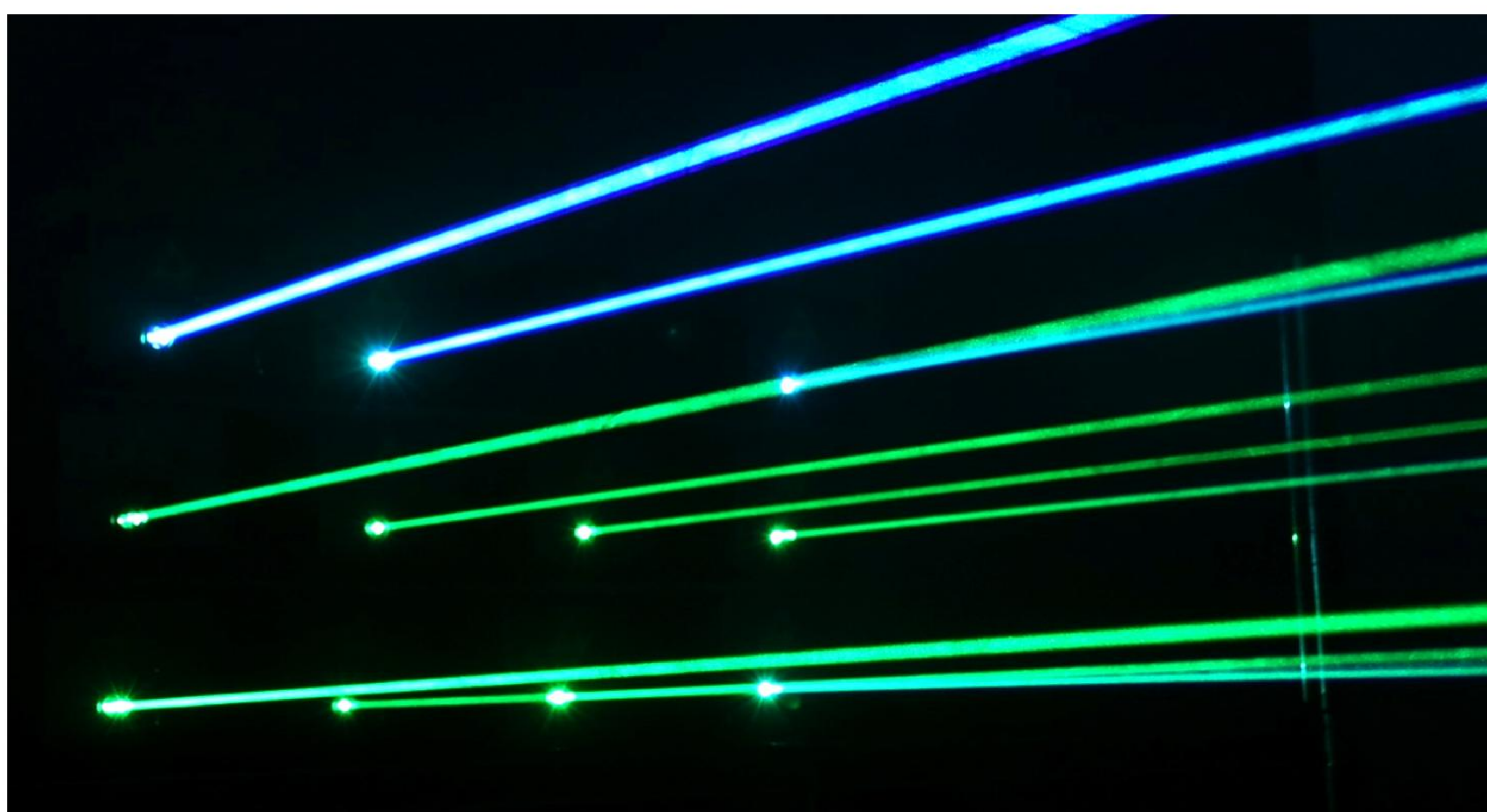
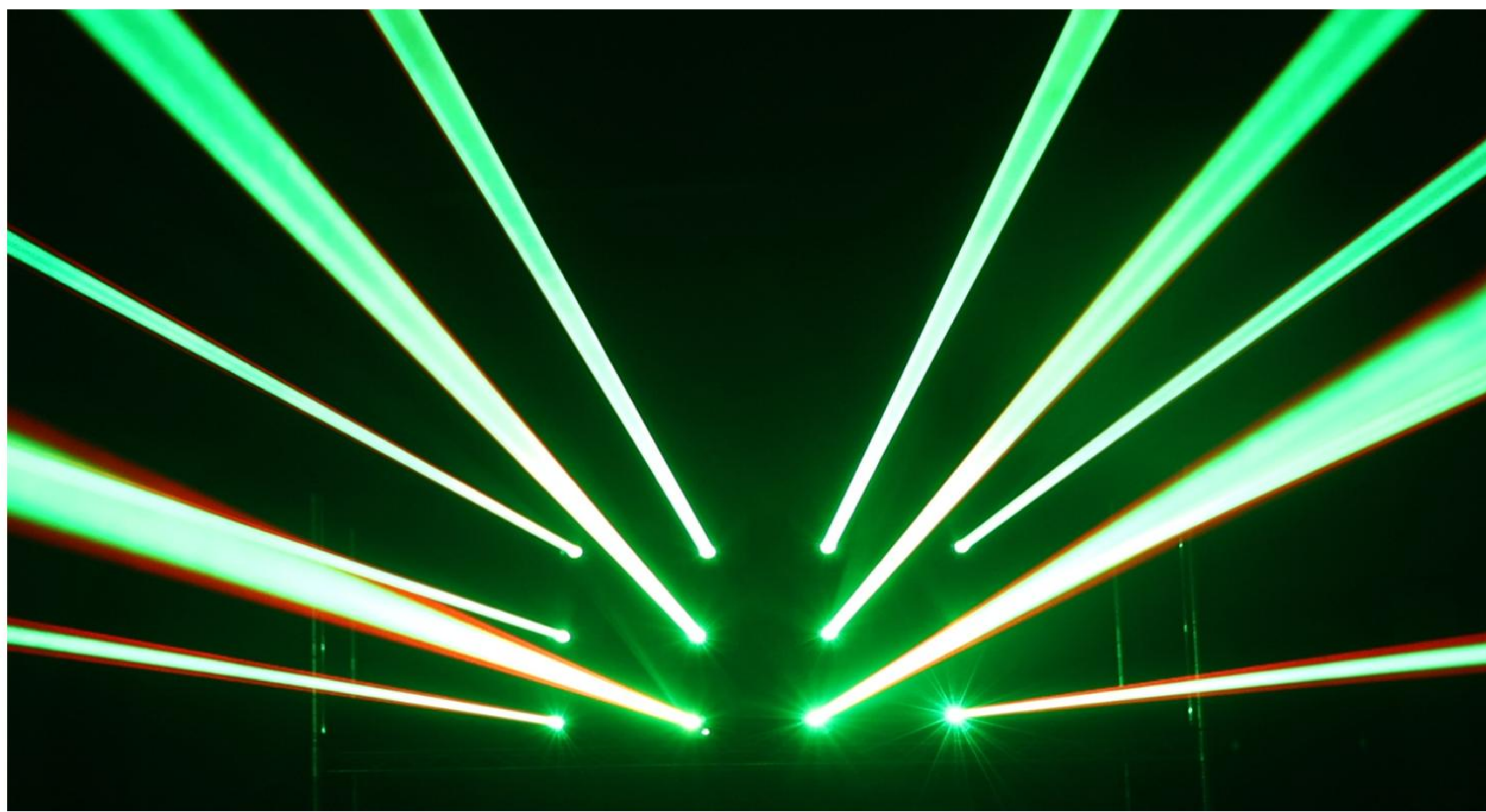
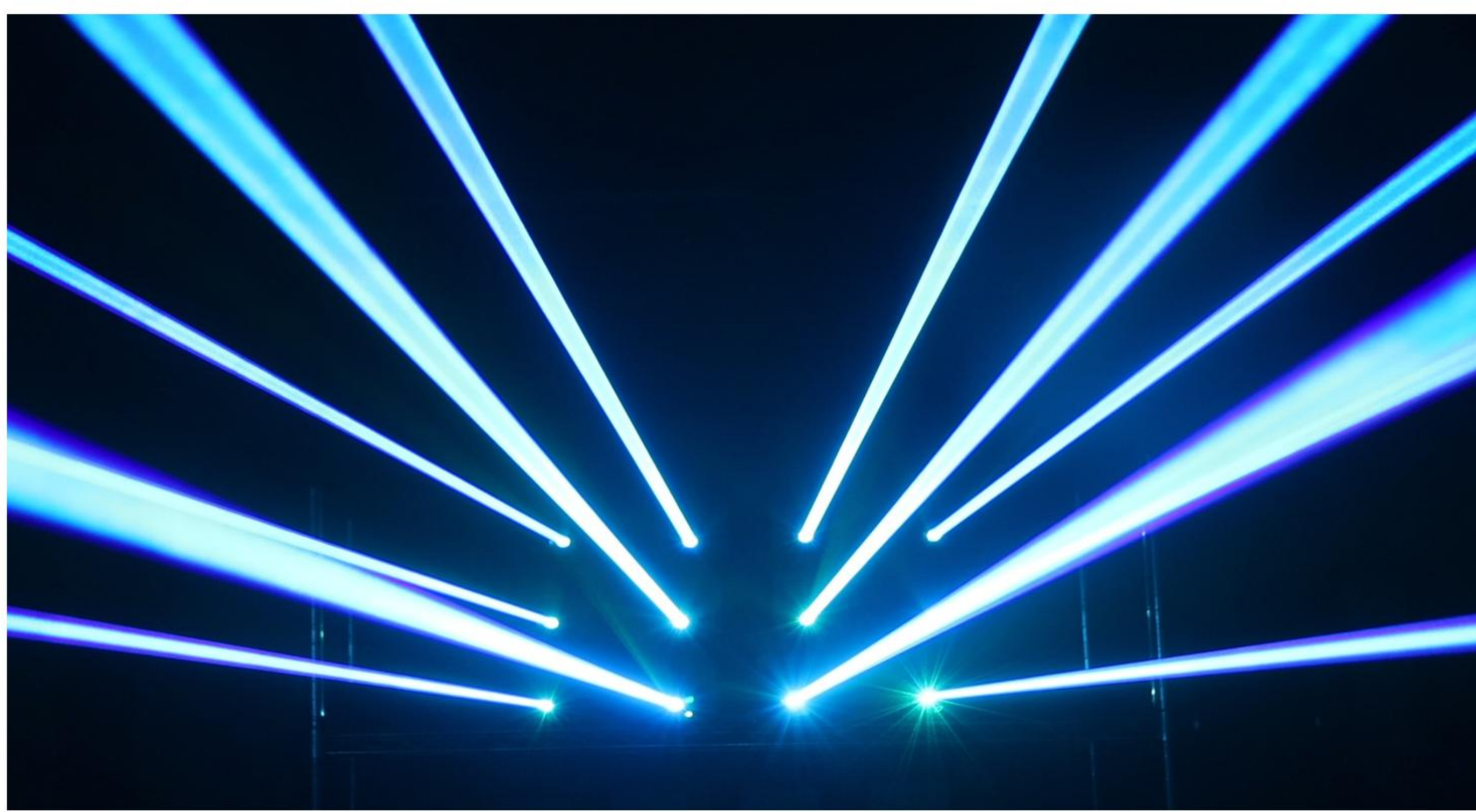
Operating Temperature: Indoor & outdoor, -30°C to 40°C

Cooling Method: Built-in heat sink (shutter control  
required during operation)

Applications: Outdoor lighting, scenic spots, squares,  
parks, gardens, light shows



ADZ - DT2激光灯应用案例  
ADZ - DT2 Laser Light Effect





1.DMX信号输入

2.DMX信号输出

3.电源输入

4.电源输出

1.DMX Signal Input

2.DMX Signal Output

3.Power Input

4.Power Supply Output