



# Tyndall Effect Laser Light



## 丁达尔 ADZ-DDR3

激光寿命: >10000小时

防护等级: IP25

产品特点: 3W高亮度RGB星空灯, 可以通过DMX调光配色, 具变色、变速、频闪等效果。功能强大, 效果艳丽

1.工作环境: 户外及室内, -30°C至40°C

2.扫描系统: 采用精密步进电机, 60度投射角度

3.控制模式: DMX512、自动运行、手动单色模式、主从同步

4.电源: 100-250V, 50/60Hz, 20W

5.设备尺寸: 134× 190× 115.5(高)mm

6.设备重量: 2.4Kg

7.适用场所: 户外照明、旅游景区、广场、公园、园林、灯光秀场

Laser Lifespan: >10,000 hours

Protection Rating: IP25

Product Features: 3W high-brightness RGB starry sky light, dimmable and color-mixable via DMX, with color changing, speed adjustment, strobe and other effects. Powerful function, vibrant and gorgeous lighting effects.

1.Operating Environment: Indoor & outdoor, -30°C to 40°C

2.Scanning System: Precision stepping motor, 60° projection angle

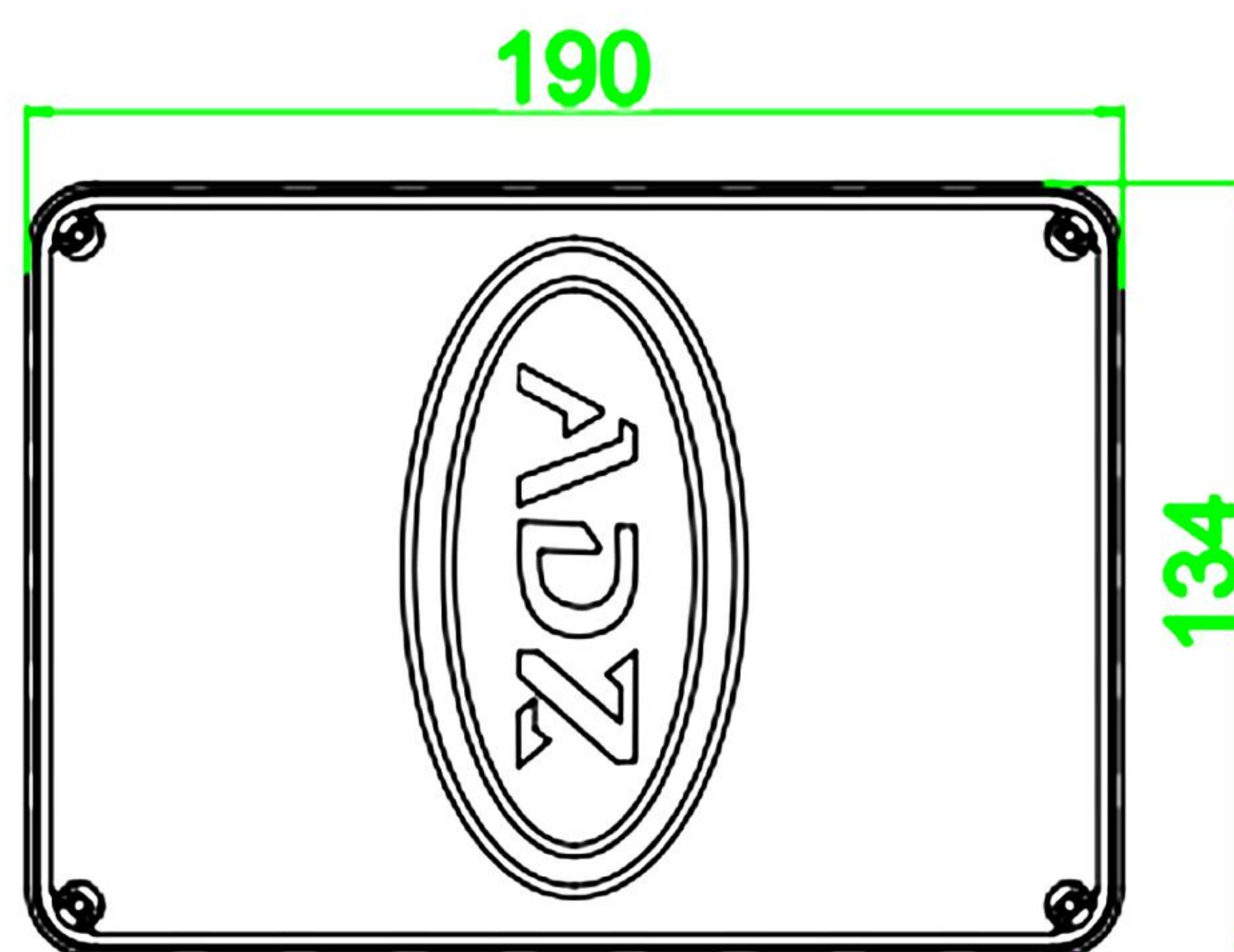
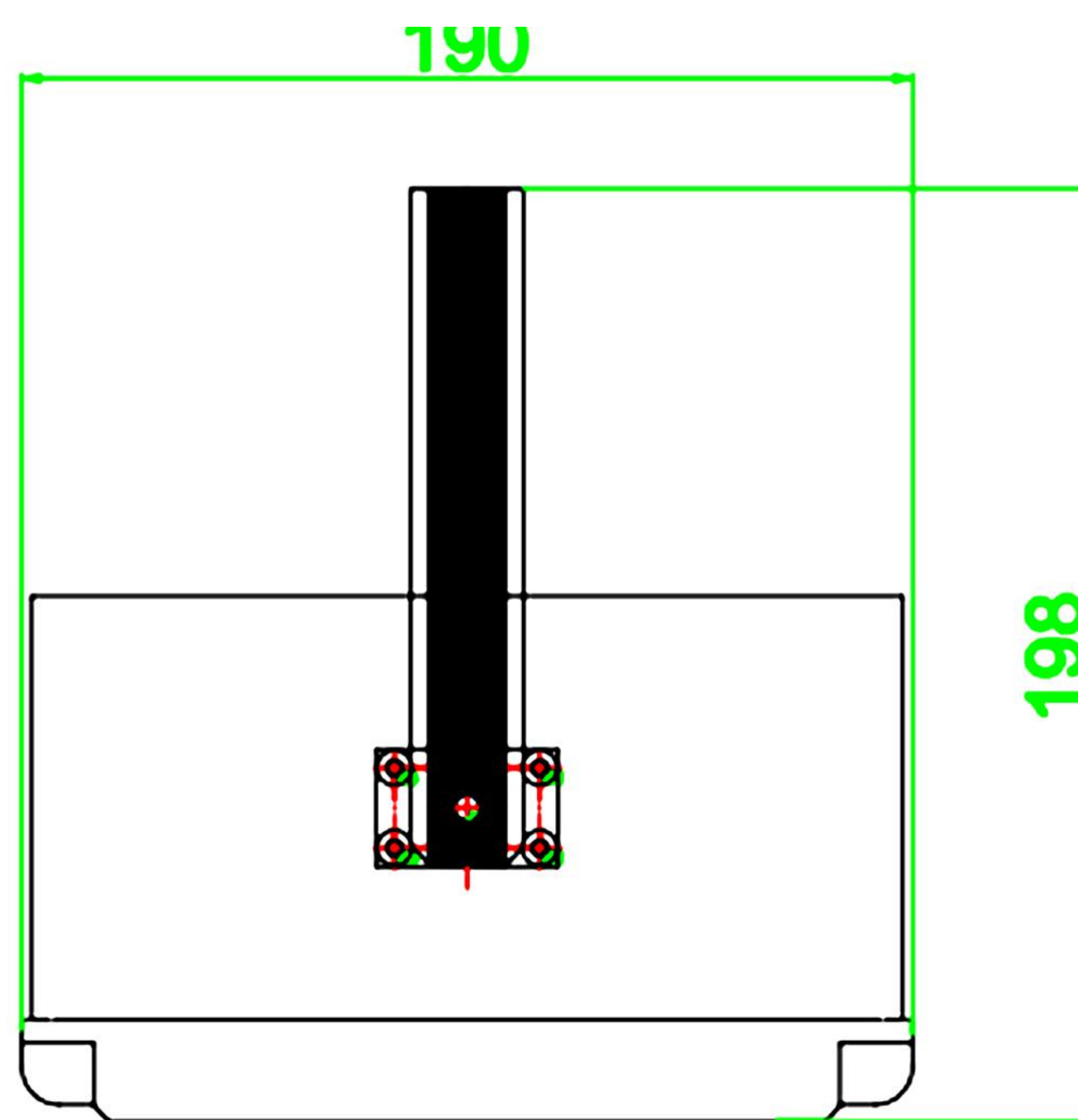
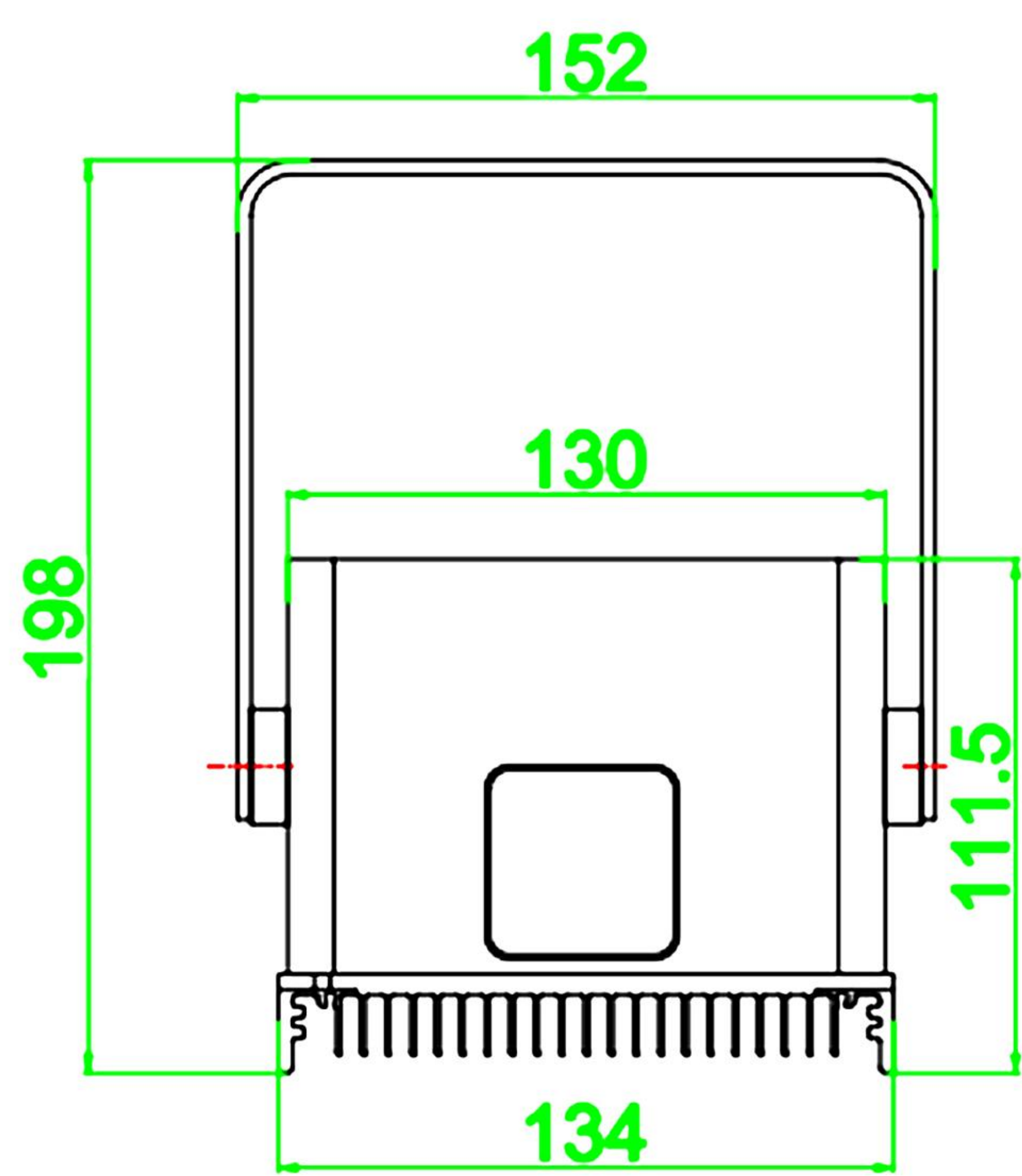
3.Control Modes: DMX512, Auto Run, Manual Single Color, Master-Slave Synchronization

4.Power Supply: 100-250V, 50/60Hz, 20W

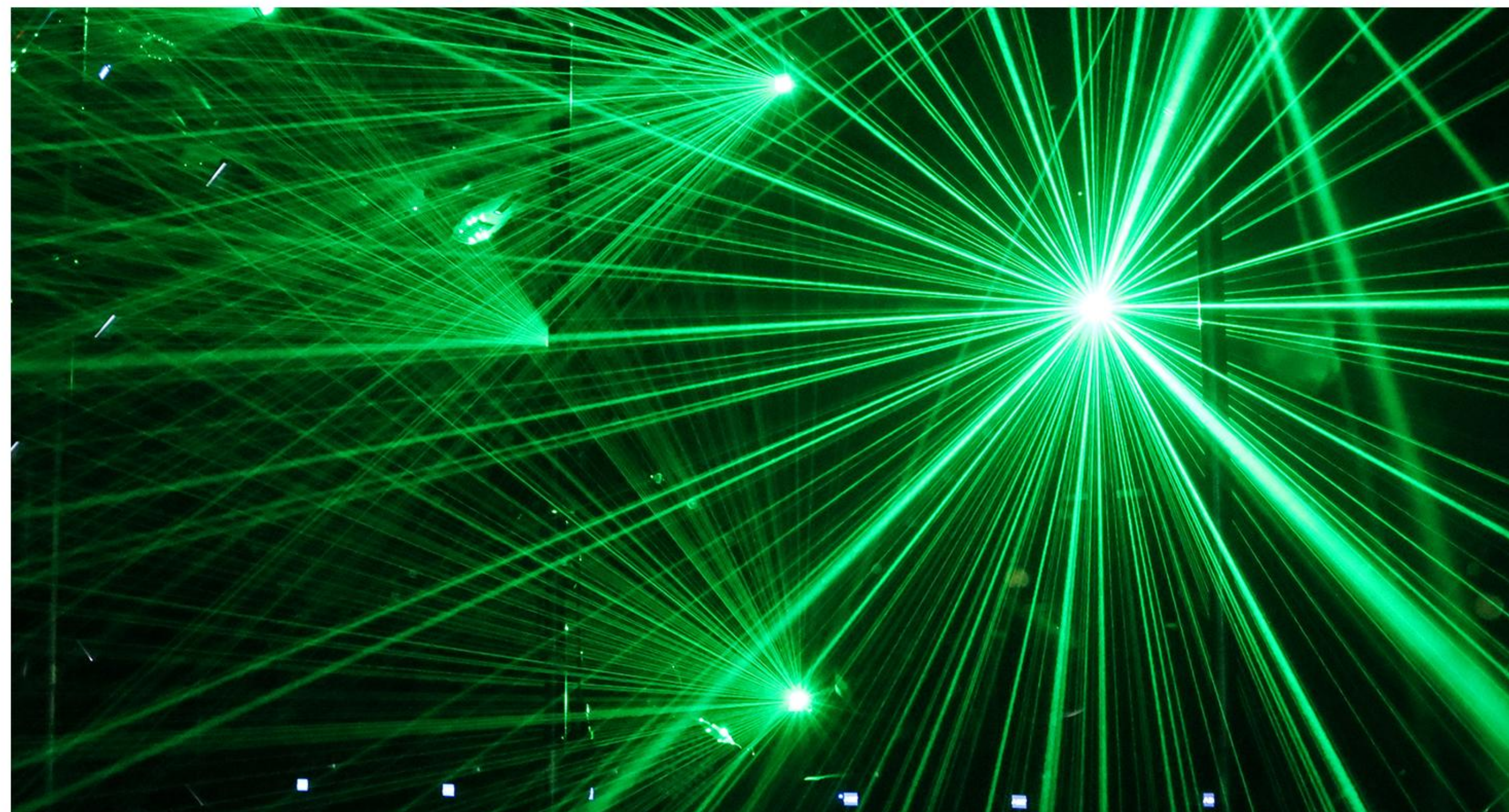
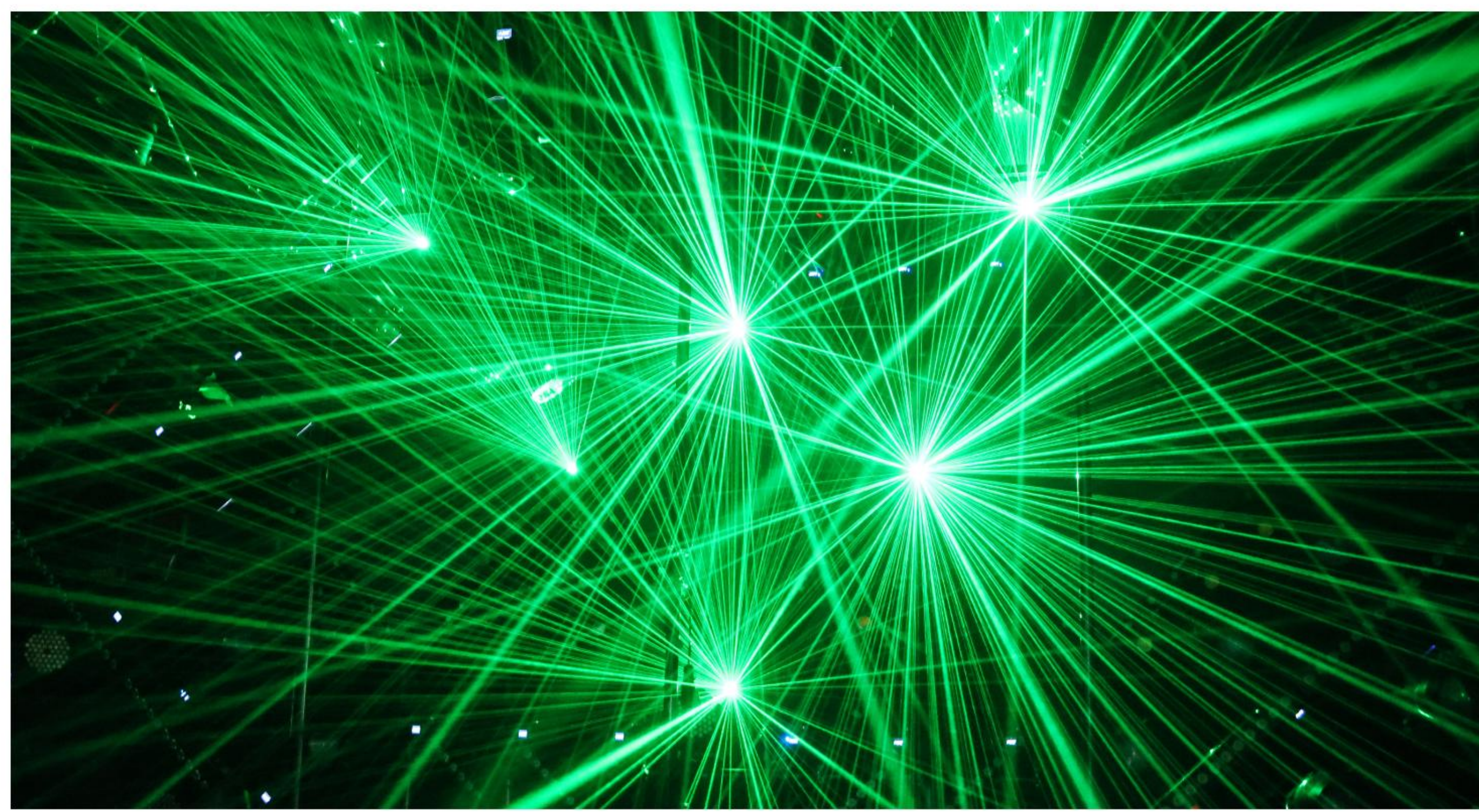
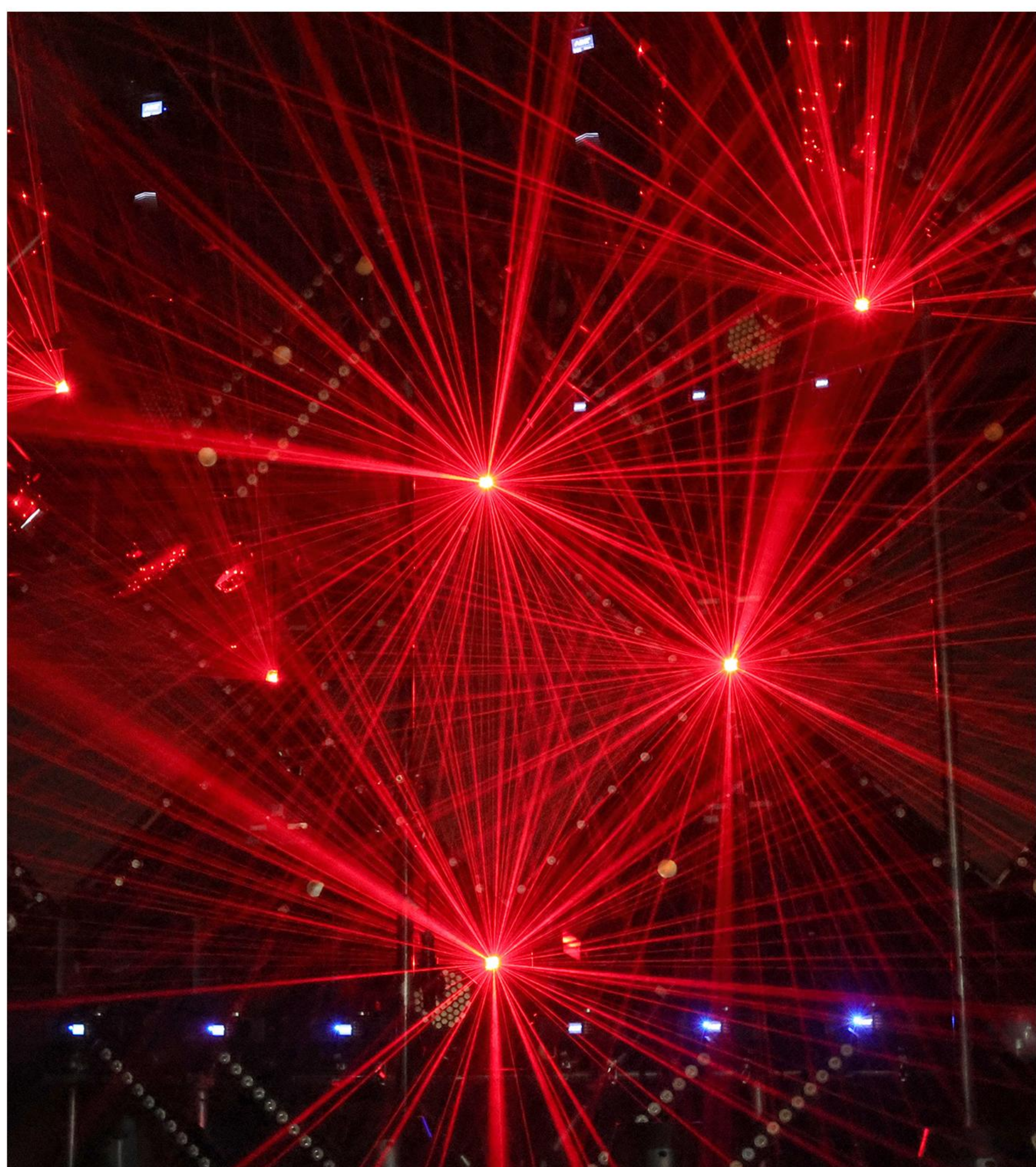
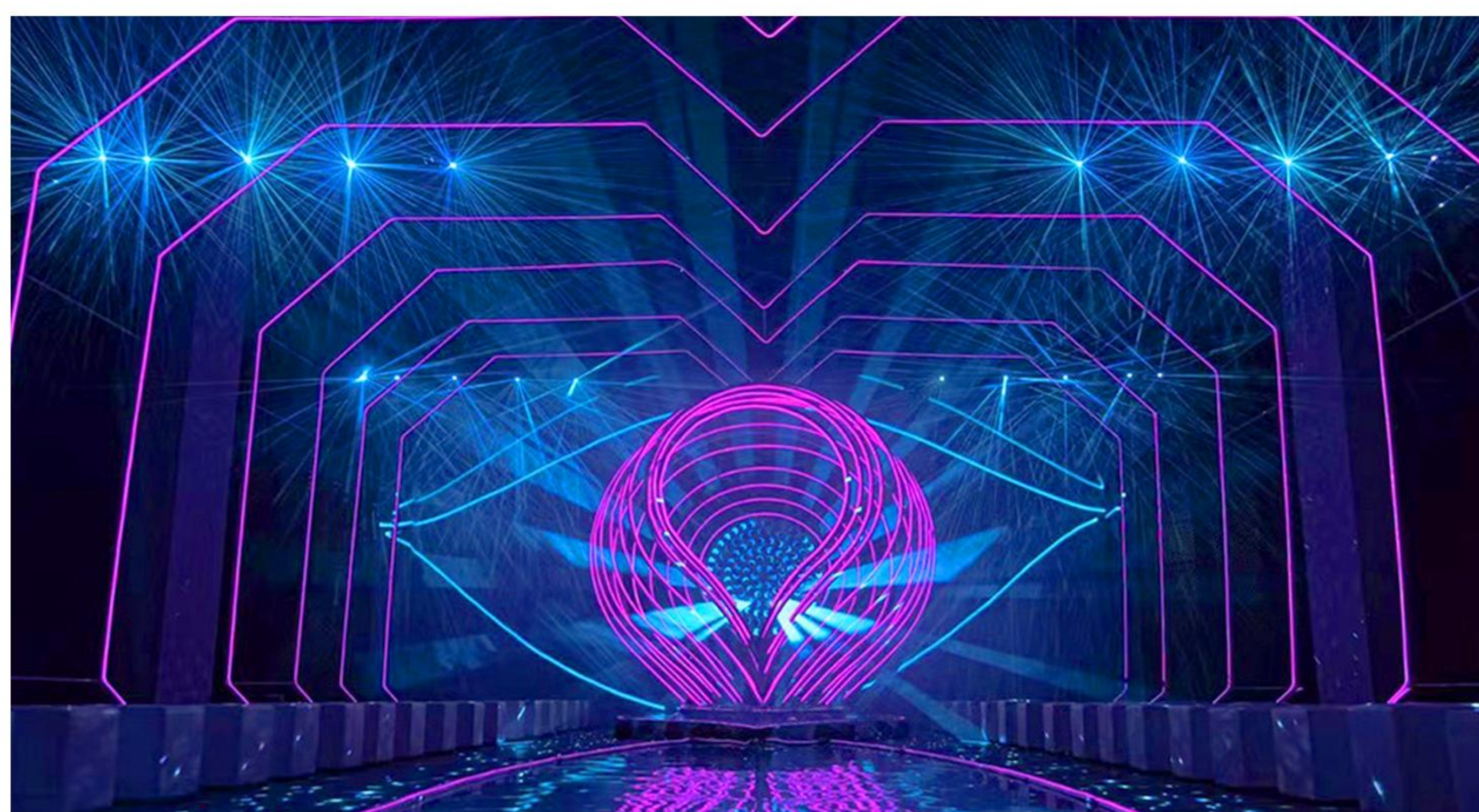
5.Dimensions: 134 × 190 × 115.5 (H) mm

6.Weight: 2.4 kg

7.Applications: Outdoor lighting, scenic spots, squares, parks, gardens, light shows



ADZ - 丁达尔激光灯应用案例  
ADZ - Tyndall Laser LightEffect





1.功能菜单选择

2.上一项

3.下一项

4.确认选项

5.DMX信号输入

6.DMX信号输出

7.电源输入

8.电源输出

1.Function Menu Selection

2.Previous Item

3.Next Item

4.Confirm Selection

5.DMX Signal Input

6.DMX Signal Output

7.Power Input

8.Power Supply Output